



TC-C32QN Spec:I3/E/Y/2.8mm/V5.1

2MP Fixed IR Bullet Camera

Spark Series



KEY FEATURES

- Metal+plastic housing
- Up to 2MP,1920×1080@30fps
- S+265/H.265/H.264B/H.264M/H.264H
- Color:0.02Lux@(F2.0,AGC ON),B/W:0Lux with IR
- IR range up to 30m
- Built-in Mic
- Operating conditions -30°C~60°C(-22°F~140°F), ≤95%RH
- PoE:IEEE 802.3af,Max. 6W
- IP67

SPECIFICATIONS

Camera	
Image Sensor	1/2.9"CMOS
Min. Illumination	Color:0.02Lux@(F2.0,AGC ON),B/W:0Lux with IR
Shutter Time	1s~1/100000s
Day&Night	IR-cut filter with auto switch (ICR)
Smart IR	Yes
WDR	DWDR
S/N	>37dB
Angle Adjustment	0~360°(P); 0~80°(T); 0~360°(R)
Lens	
Lens Type	Fixed focal lens
Focal Length	2.8mm
Lens Mount	M12
Aperture Range	F2.0
Aperture Type	Fixed
Field of View	102.8°(H); 57.6°(V); 117.8°(D)
DORI Distance	Detect:40.0m Observe:15.9m Recognize:8.0m Identify:4.0m
Illuminator	
IR LEDs	2
IR Distance	Up to 30m
Wavelength	850nm
Compression Standard	
Video Compression	S+265/H.265/H.264B/H.264M/H.264H
Video Bit Rate	32k~4Mbps
Audio Compression	G.711A/G.711U
Audio Sampling Rate	8kHz
Image	
Max. Resolution	2MP,1920×1080@30fps
Main Stream	PAL:25fps(1920×1080, 1280×720, 704×576, 640×480) NTSC:30fps(1920×1080, 1280×720, 704×480, 640×480)
Sub Stream	PAL:25fps(704×576, 704×288, 640×360, 352×288) NTSC:30fps(704×480, 704×240, 640×360, 352×240)
BLC	Yes
HLC	Yes
AGC	Yes
3D DNR	Yes
White Balance	Auto/Semi-Auto/Manual/Sunshine/Nature Light/Warmlight Lamp/Daylight Lamp/Filament Lamp/Lock White Balance

OSD	Overlay of additional characters in 1 regions, 1 line, with a maximum of 48 characters or 16 Chinese characters per region; 16*16/32*32/48*48
-----	-----------------------------------------------------------------------------------------------------------------------------------------------

Privacy Mask	4 black static areas
--------------	----------------------

Defog	Yes
-------	-----

Feature

General Alarm	Motion Detection
---------------	------------------

Exceptions Alarm	IP Address Conflict
------------------	---------------------

Linkage Method	Trigger Capture; Alarm Output
----------------	-------------------------------

Network

Protocols	HTTP; TCP/IP; UDP; ICMP; DHCP; DNS; NTP; TLS v1.2; IPv4; Telnet; Unicast
-----------	--------------------------------------------------------------------------

System Compatibility	ONVIF(Profile S/T) ; SDK; CGI; Milestone; RTSP
----------------------	------------------------------------------------

Remote Connection	≤2
-------------------	----

Client	Easy7 VMS
--------	-----------

Moblie Client	EasyLive Plus
---------------	---------------

Web	IE10+; Firefox52+; Edge89+; Safari11+; Chrome57+
-----	--------------------------------------------------

Interface

Communication Interface	1*RJ-45 (10/100 Base-T)
-------------------------	-------------------------

Built-in Mic	Yes
--------------	-----

General

Web Client Language	12 languages English/Spanish/Italian/Turkish/Russian/Thai/French/Polish/Arabic/Vietnamese/Portuguese/ Japanese
---------------------	----------------------------------------------------------------------------------------------------------------------

Operating Temperature	-30°C~60°C(-22°F~140°F)
-----------------------	-------------------------

Operating Humidity	≤95%RH
--------------------	--------

Storage Temperature	-30°C~60°C(-22°F~140°F)
---------------------	-------------------------

Storage Humidity	10%~95%RH(non-condensing)
------------------	---------------------------

Power Supply	PoE:IEEE 802.3af,Max. 6W
--------------	--------------------------

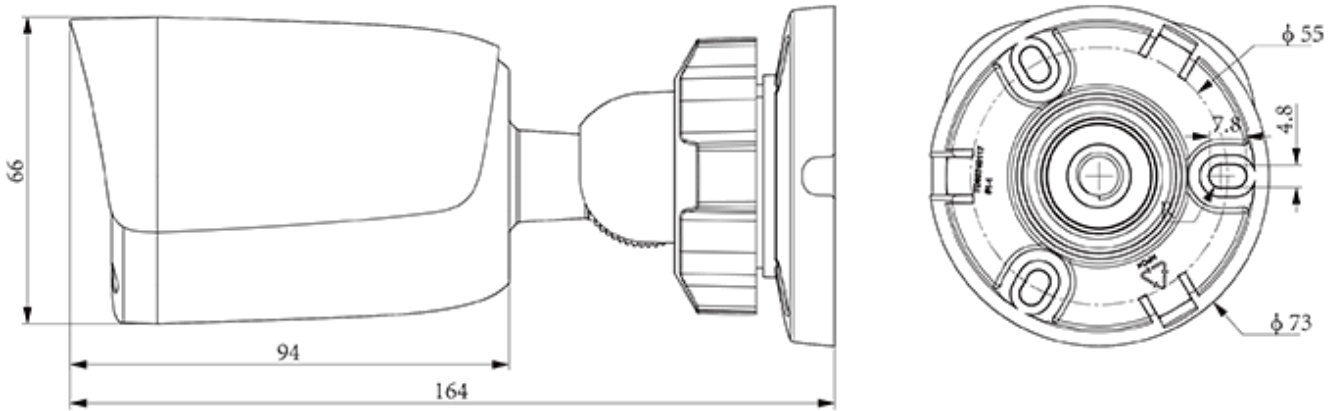
Protection	Surge4000V; ESD6000V; IP67
------------	----------------------------

Boundary Dimensions	164(L)73(W)73(H)mm
---------------------	--------------------

Package Dimensions	180(L)90(W)95(H)mm
--------------------	--------------------

GrossWeight	0.3kg
-------------	-------

DIMENSIONS (Unit: mm)



Assembly diagram of Junction Box



TC-P54BM Spec:V5



A36