

# Electric Mortise Lock



**LB-12**



**LB-22**



**LB-35**

The electric mortise lock is electronically controlled. A mortise lock is a mechanism that sits inside the door. Wiring electricity into the mechanical system uses an electrical impulse from the wiring to stick out a bolt into the door frame to lock the door. When the power is off, the clip will retract, and unlock the door.

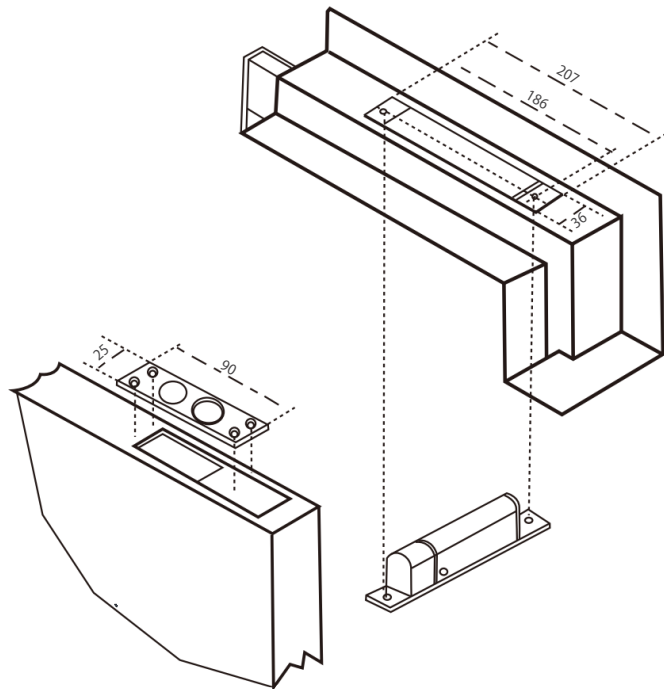
LBB-1, LBB-2, and UBB-1 are accessories that help install electric mortise locks, namely, LB12, LB22, and LB35, on glass doors.

## Specifications

Model	LB12	LB22	LB35
Photo			
Operating Voltage	DC 10V to 24V	DC 10V to 24V	DC 10V to 24V
Current	Starting: 1A ± 10% Operating: 110mA ± 10%	Starting: 1A ± 10% Operating: 110mA ± 10%	Starting: 1A ± 10% Operating: 110mA ± 10%
Electrical Impulse	ON: Lock OFF: Unlock	ON: Lock OFF: Unlock	ON: Lock OFF: Unlock
Wiring	2 wire Regardless + or -	2 wire Red: + Black: -	5 wire Red: + Black: - Yellow: Exit button (work with Black) White: Door sensor,COM Blue: Door sensor,NO
Lock Delay	N / A	0s,3s,or 6s(adjustable)	0s,3s,or 6s(adjustable)
Unlock Delay	N / A	6s (automatically locks the door again when no one pushes the door within 6s after unlocking)	6s (automatically locks the door again when no one pushes the door within 6s after unlocking)
Door Sensor	N / A	N / A	Supports

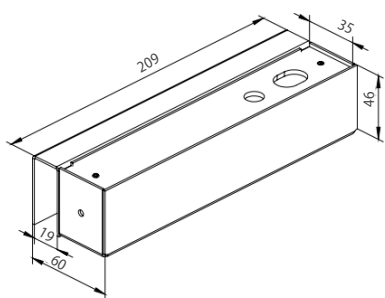
Lock Cylinder	SUS304 Stainless Steel		
Installation Hole Size (L*W)	207*36(mm)(The depth of the inner pit is not less than 38mm)		
Decorative Panel Size (L*W*H)	215*41*0.7(mm)		
Lock panel size (L*W*H)	205*35*3(mm)		
Gross Weight	0.445kg	0.719kg	0.719kg

## Installation Diagram and Dimensions (mm)

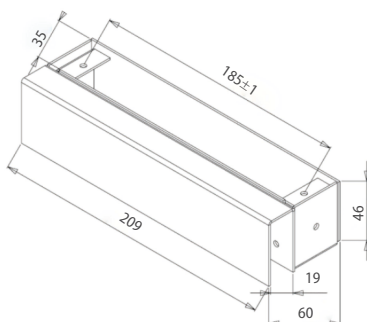


Model	LBB - 1	UBB - 1	LBB - 2
Photo			
Dimensions (L*W*H)	209*60*46(mm)	209*60*46(mm)	94*48.5*38(mm)
Application	Frameless glass doors with glass thickness from 12mm to 15mm	Frameless glass doors; used to install electric mortise locks; suitable for doors with glass thickness from 12mm to 15mm (used with LBB - 1 only)	Frameless glass doors with glass thickness from 12mm to 15mm
Wiring	Stainless Steel	Stainless Steel	Stainless Steel
Gross Weight	0.75kg	0.72kg	0.298kg

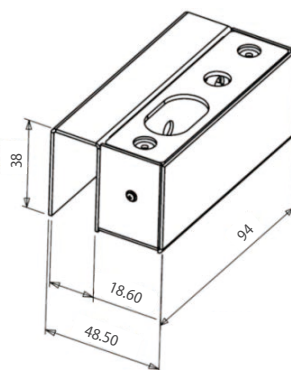
## Dimensions(mm)



LBB - 1



UBB - 1



LBB - 2

## Installation

