

# TDM95

## Temperature Sensor module



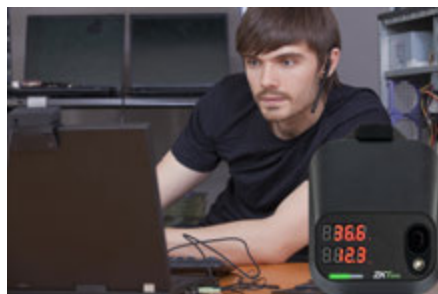
TDM95 is an indoor touchless temperature sensor module and ZKTeco security solution with a USB connection used for Temperature Detection in Access Control systems and Time Attendance devices. TDM95 can be applied to existing ZKTeco devices and also supports integration between manufacturers and third parties. Through its USB connection, it can additionally be utilized as a thermal detection accessory to computers, laptops, tablets, or any device supporting USB.

The contactless temperature sensor distance is up to 15 cm. The system can detect elevated temperatures improving security and efficiency by reducing queuing time. When elevated body temperature is detected, the system automatically reports to surveillance staff for inspection.

### Vertical markets



Manufacturers



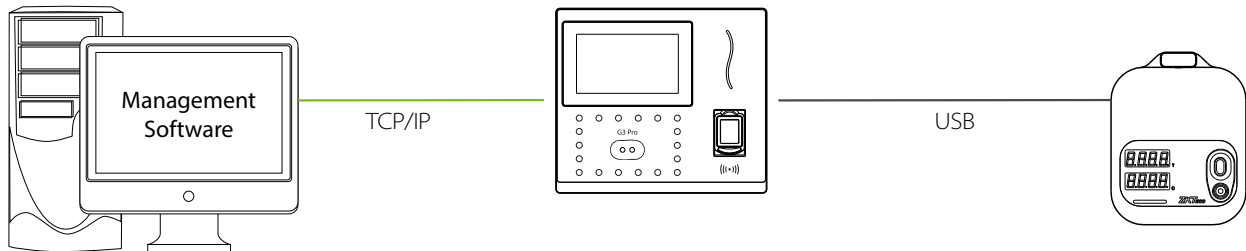
Integrators



Software developers

## Features

- RS232 / RS485 / USB Communication
- Temperature Measurement Distance: Up to 15cm
- Temperature Measurement Range: 32.0°C to 42.9°C or 89.6°F to 109.22°F
- Deviation:  $\pm 0.3^{\circ}\text{C}$  or  $\pm 0.54^{\circ}\text{F}$

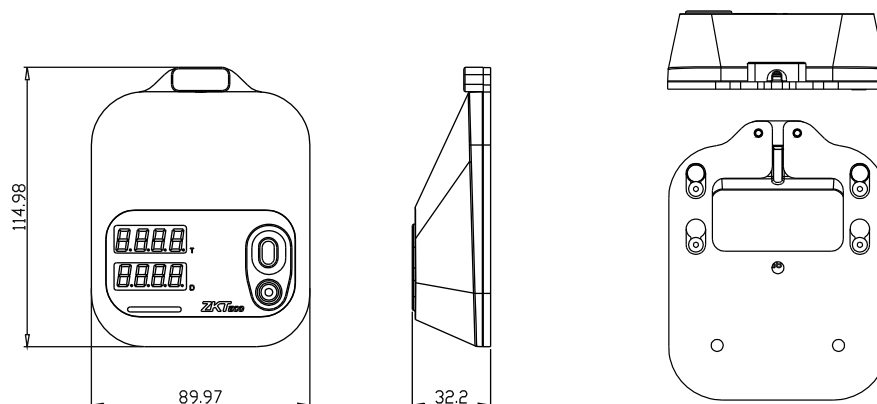


Time & Attendance / Access Control Device

## Specifications

Model	TDM95
Communication	RS232 / RS485 / USB 2.0
USB	Micro USB
Temperature Detection Distance	1 - 15cm
Temperature Unit	$^{\circ}\text{C}$ or $^{\circ}\text{F}$
Temperature Measurement Range	32.0 $^{\circ}\text{C}$ - 42.9 $^{\circ}\text{C}$ / 89.6 $^{\circ}\text{F}$ - 109.22 $^{\circ}\text{F}$
Temperature Measurement Deviation	$\pm 0.3^{\circ}\text{C}$ / $\pm 0.54^{\circ}\text{F}$
Digital Display Tube	4
Operating Voltage	5V
Operating Temperature	15 $^{\circ}\text{C}$ - 38 $^{\circ}\text{C}$ / 59 $^{\circ}\text{F}$ - 100.4 $^{\circ}\text{F}$
Operating Humidity	10% - 85%
Dimensions (mm)	114.98 * 89.97 * 32.2
Weight of the Device	333g
Weight of the Device with Packaging	473g

## Dimensions (mm)



V1.0 2020.8.25