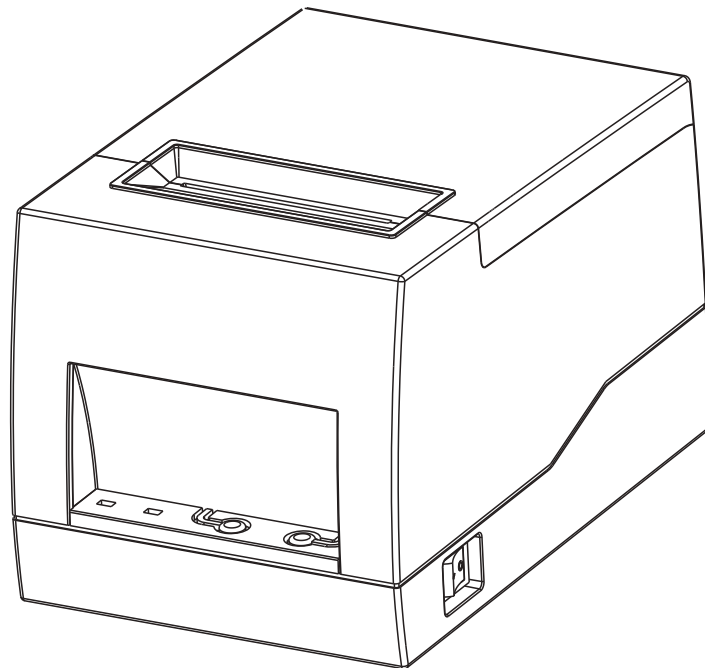

USER MANUAL

Thermal Label Printer



MODEL: 886A/886BW

CONTENTS

Manual information	1
Safety precautions	1
Chapter 1. Product introduction	4
1.1 Unpacking checklist.....	4
1.2 Physical appearance and components.....	5
1.3 Product dimensions.....	6
Chapter 2. Product specifications	8
Chapter 3 Installation and Operation	10
3.1 Installation media	10
3.2 Connecting the power cord.....	16
3.3 Connect to the cash drawer.....	17
3.4 Operation panel.....	18
3.5 Basic function.....	19
3.6 Bluetooth guide.....	20
Chapter 4 Interface	21
4.1 USB.....	21
4.2 Cash drawer.....	21
Chapter 5 Cleaning the printer	22
5.1 Cleaning the print head.....	22
5.2 Cleaning the sensor, roller and paper path.....	22

Manual information

This user manual contains essential information for the installation and use of the product.

The following section provides a more detailed description about various technical issues and information.

SAFETY PRECAUTIONS

Please read the precautions carefully before operating the printer to avoid personal injury or machine damage.

1. Warning symbols

WARNING Must be followed to avoid injury to the user and/or damage to the equipment.

Note Signals important information and tips for printer operation.

2. Safety precautions

WARNING: Violating following instructions may cause serious injury or death.

1) Do not insert several plugs into a multi-outlet power strip at the same time.

- This can cause overheating and a fire.
- If the plug is wet or dirty, dry or wipe it clean before use.
- Do not use the electrical outlet if it's not compatible with the power cord plug.
- You should only use standard multi-outlet power strips.

2) You should only use the adapter provided in this package.

- It is not safe to use other adapters.

3) Do not unplug it by pulling on the power cord

- This may damage the power cord and cause a fire or printer malfunction.

4) Do not plug or unplug the power cord with wet hands.

- This may cause electric shock.

5) Do not bend the power cord excessively or place heavy objects on it

- Damaged power cords may cause a fire.

Note: Violating following instructions can cause slight wound or damage the appliance .

1) If you find smoke, smell or noise coming out of the printer for unknown reason, please unplug the power cord and take proper emergency measures.

- Turn off the printer and unplug power cord.
- After the smoke clears, call the dealer for repairs.

2) Place the printer on a stable and flat surface.

- If the printer drops to the ground, it may break and cause personal injury.

3) You should only use approved accessories, and do not attempt to disassemble, repair or modify the printer by yourself.

- Please call the dealer if you need any of the above-mentioned services.

4) Do not let water or other objects get inside the printer.

- In case it happens, turn off the printer and unplug the power cord Then call the dealer for service.

5) Do not use the printer when there is a malfunction, as this may cause fire or electric shock.

- Please turn off the printer and unplug the power cord. Then call the dealer for service.

6) Other matters to note.

Leave enough space around the printer for operation and maintenance purpose

Keep the printer away from water, direct sunlight, strong light and heat sources.

Do not use or store the printer in places with high temperature, high humidity or heavy pollution.

Avoid placing the printer in places subject to vibrations and shocks.

Connect the printer's power adapter to a properly grounded electrical outlet, and avoid using the same outlet with large appliances or devices that can cause voltage fluctuations.

Please disconnect the power supply if you are not going to use the printer for a long period of time.

To ensure print quality and extend the life of the printer, it is suggested to use recommended or equivalent quality printer paper.

Shut off the power before plugging or disconnecting of interfaces, otherwise it may damage the printer control circuits.

Please keep this manual in a proper place for future references.

3. Other matters to note

Although we have been very careful on the compiling of this manual, however, errors and/or omissions are still inevitable. The company will not assume any responsibility for any losses on anyone due to the use of information in this manual. For users and third parties, the company and its subsidiaries will not be liable for any product damage, failure or misuse caused by not following or ignoring the operation, maintenance information and/or instructions provided by the company; and for losses, costs or expenses caused by unauthorized changes, repairs or modifications to the product. The company shall not bear any responsibility with regard to damages and/or problems caused by the use of counterfeit accessories, parts or unauthorized products. Due to continuous product improvement, specifications, accessories and/or procedures described herein are subject to change without notice.

4.WEEE (Waste Electrical and Electronic Equipment)



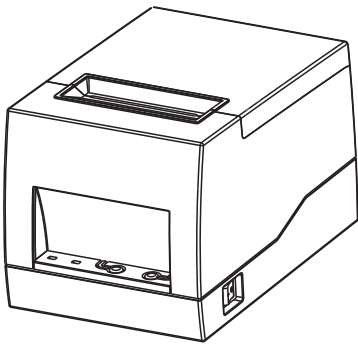
The symbol placed on the product indicates that the item should not be mixed with general household waste. If such waste is not properly managed, it may harm both environment and human health. To prevent possible harm to the environment or human health from uncontrolled waste disposal, please separate these items from other types of waste and recycle them responsibly to promote the sustainable reuse of material resources. Household users should contact either the retailer where they purchased this product, or their local government office, for details of where and how they can take these items for environmentally safe recycling. Business users should contact their supplier and check the terms and conditions of the purchase contract. This product and its accessories should not be mixed with other commercial wastes for disposal.

Chapter 1 Product Introduction

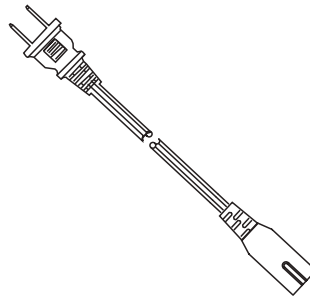
1.1 Unpacking checklist

Note:

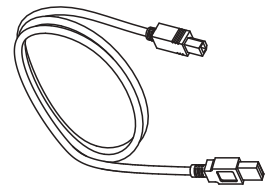
- 1) Unpack the printer and save the packing materials in case you need to repack the printer for shipping or storage.
- 2) Please contact the dealer for any defect and/or missing of accessory.
Printer, power adapter, power cord, USB cable, user manual."



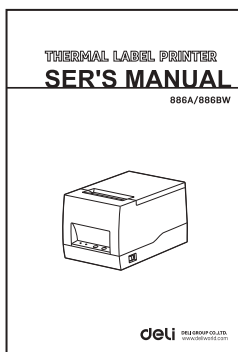
Printer



Power cord

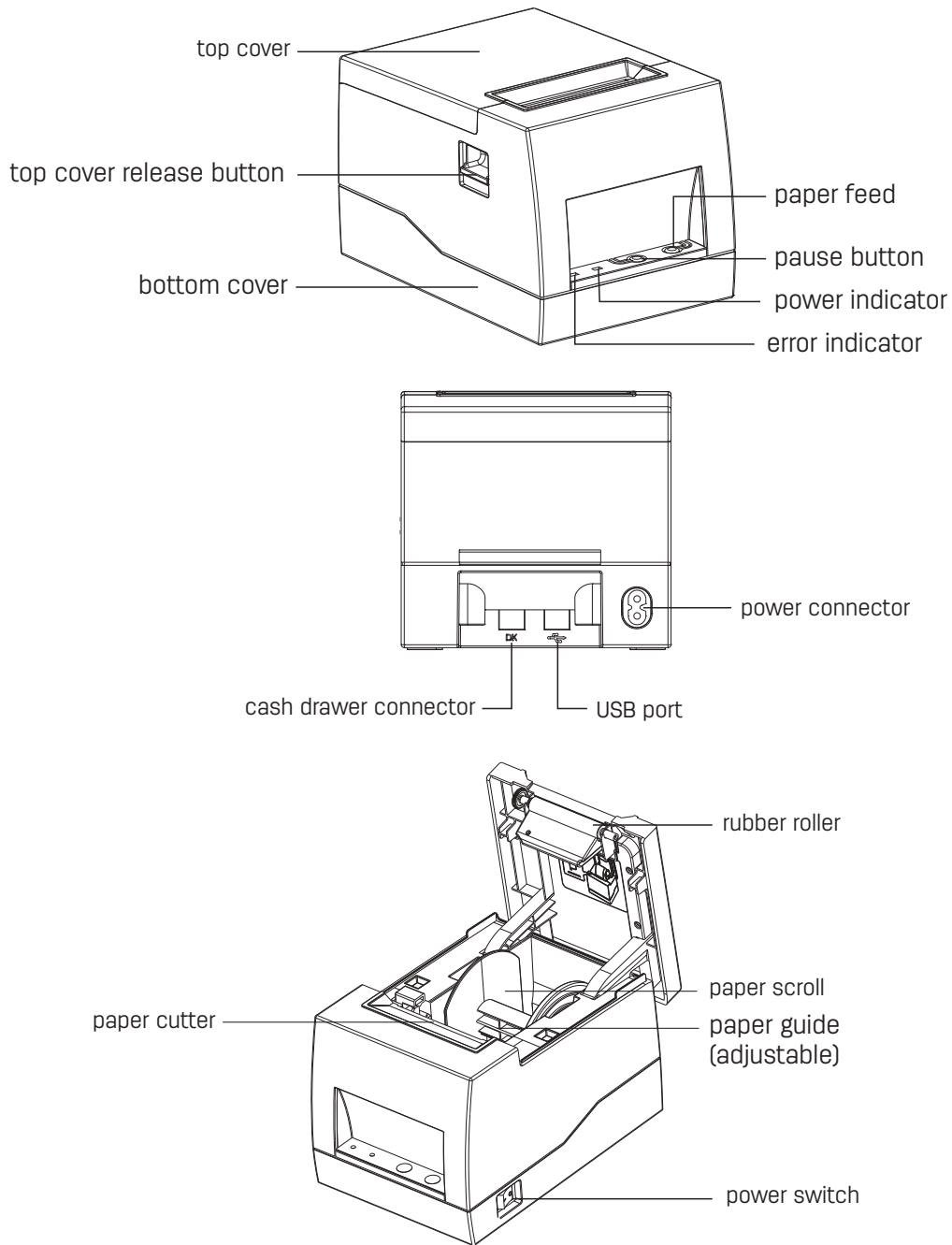


USB cable



User manual

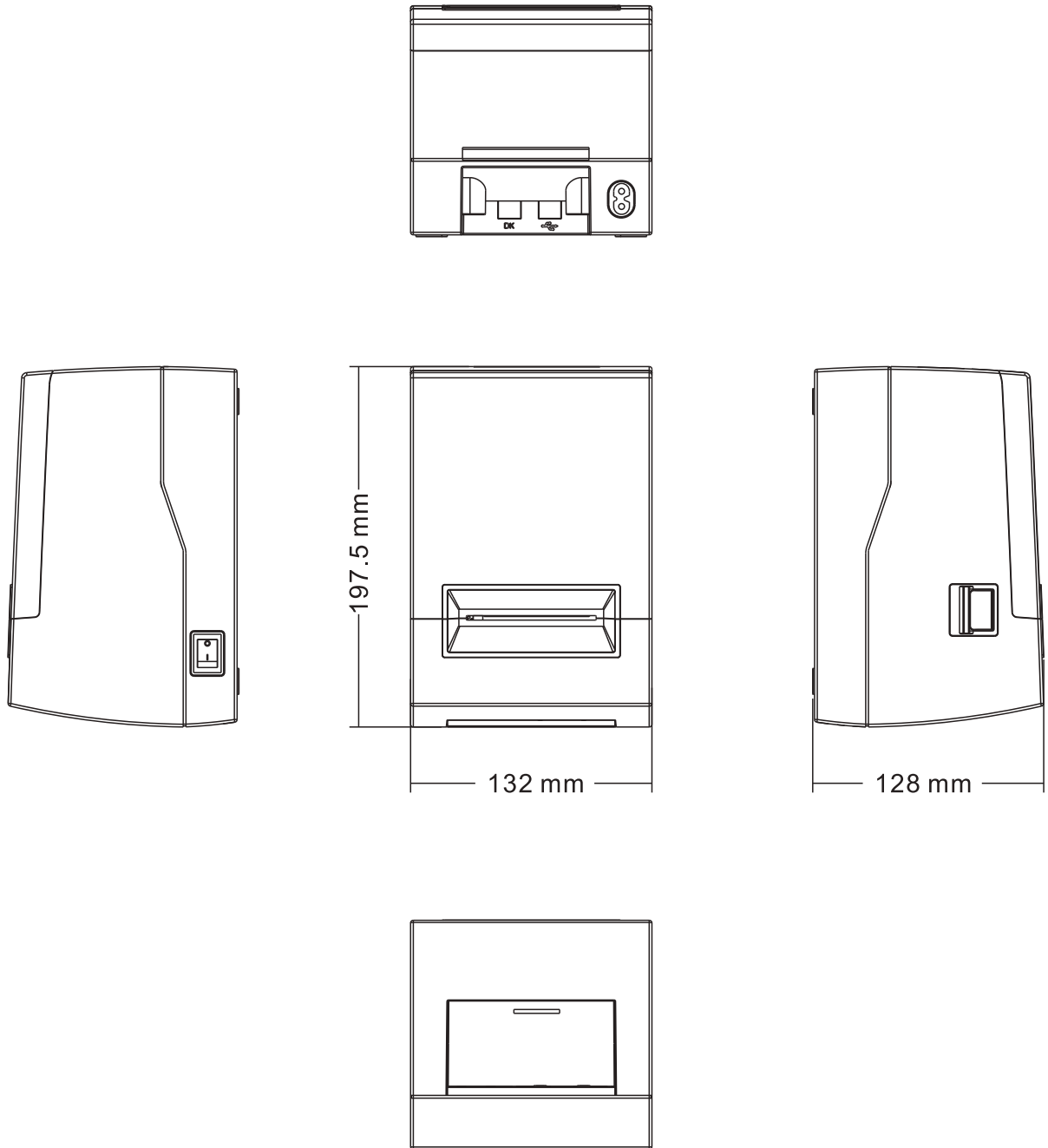
1.2 Physical appearance and components



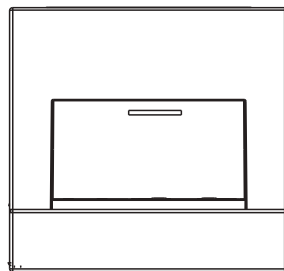
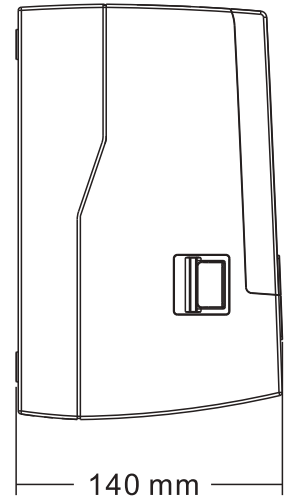
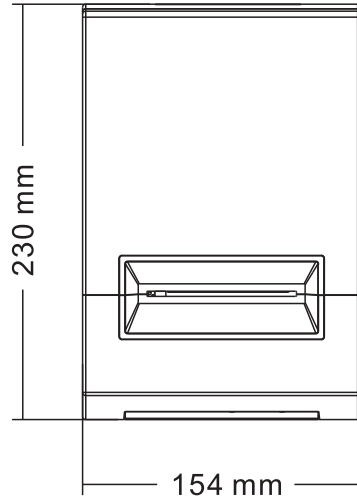
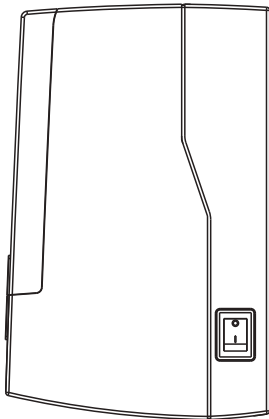
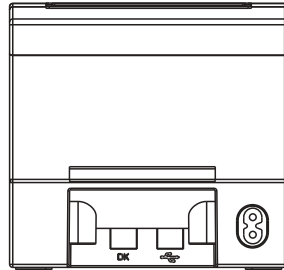
Note: Keep your fingers away from the paper cutter while printing, or you may cut your finger. The company shall not be liable for any injury caused by the paper cutter during operation.

1.3 Product dimensions

1.3.1 DL-886A



1.3.2 DL-886BW



Chapter 2 Product Specifications

Ref.No.		DL-886A	DL-886BW
Printing	Print method	Direct thermal	
	Print resolution	203 dpi (8 dots/mm)	
	Printing speed	ESC mode: 90mm/s TSPL mode: 76mm/s	90mm/s
	Print width	56mm	80mm
	Print length	15-250mm	15 - 2000 mm
Processor		32-bit RISC	
Instruction set		TSPL,ESC/POS	
Memory	RAM	96KB	2MB
	Flash memory (optional)	8MB	
Detection	Sensor	Black mark detection, Out of paper detection,seam mark detection, Cover-open detection, Thermal head temperature detection	
Paper supplies	Type	Standard thermal paper, Die cut or continuous roll labels ,Black labels	
	Width	0.79"(20 mm)– 2.36"(60 mm)	0.79"(20 mm)– 3.35"(80 mm)
	Thickness	0.003" (60 μm)–0.007"(180 μm)	
	Paper roll diameter	90 mm	105 mm
	Core inner diameter	1" (25.4 mm) , 1.5" (38 mm)	
Software	Label design	Deli BarTender UltraLite	
	Driver	Windows7/Windows8/Windows10 (Device driver compatible with Windows XP)	
Code page		English: DOS437、 Chinese: GB18030	
Characters	Character sets	Commonly used single-byte fonts (TSPL): from FONT1 to FONT8	
		Chinese characters (TSPL): 16 dot matrix, 24 dot matrix, 32 dot matrix	
	Enlargement and rotation	The font can be enlarged 1 to 8 times horizontally and vertically, rotation print (0°, 90°, 180°, 270°)	
Barcodes	ID	TSPL:Code11; Interleaved 2 of 5; Code 39; Code49; Planet Code; EAN-8; EAN-13; UPC-E;UPC-A;Code 93; Code 128; Industrial 2 of 5; Standard 2 of 5;Codabar; MSI;Plessey	
	2D	TSPL: QR Code;	TSPL: QR Code; Data Matrix;
Interface	USB	USB2.0 type B	
	Cash drawer connector	12V drive	24V drive
	Bluetooth	DL-886AW	DL-886BW
human-machine interface		2 lights 2 buttons: power indicator (blue), error indicator (red), pause button, paper feed button	

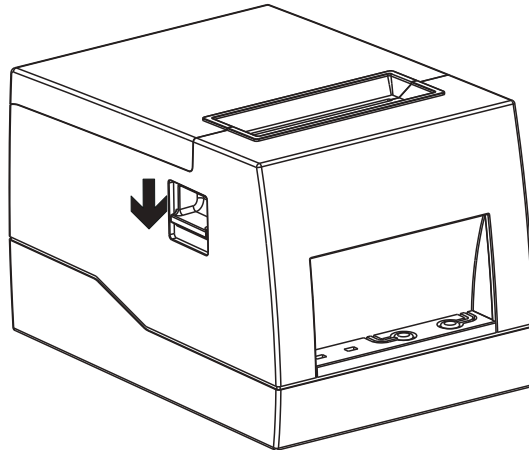
Ref.No.		DL-886A	DL-886BW
Power Adapter	Input	AC: 100-240V, 50-60Hz 0.6A	
	output	DC: 8.5V 3A	
Environment parameters	Operating	0°C~40°C, 30%~90%RH,(no condensation)	
	Storage	-20°C~55°C, 20%~93%RH(no condensation)	
Physical parameters	Dimensions (L x H x W)	197.5mm×132mm×128mm(L x H x W)	230mm×154mm×140mm(L x H x W)
	Weight	850g	1160g
Reliability parameter	TPH life	50km	
Options and accessories		Power cord、USB cord、 user manual (certificate & warranty card)	
Certificate		CE	

Chapter 3 Installation and Operation

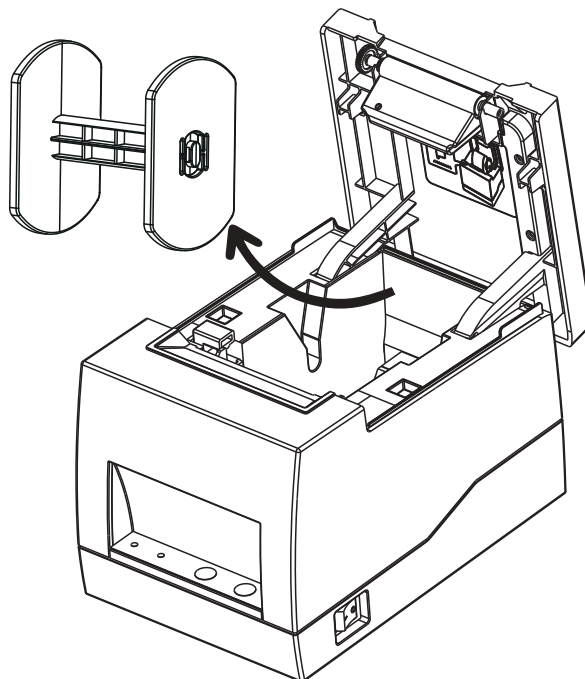
3.1 Installation media

3.1.1 Installing the paper roll

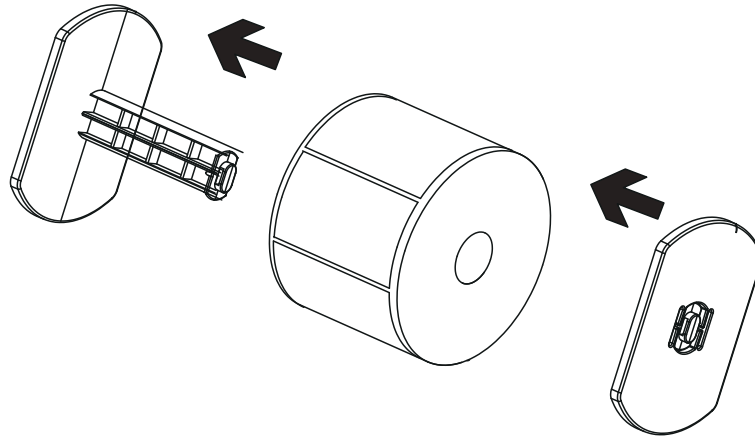
1. Face toward the front panel and press the top cover button in the direction as indicated by the arrow and the top cover bounces up automatically.



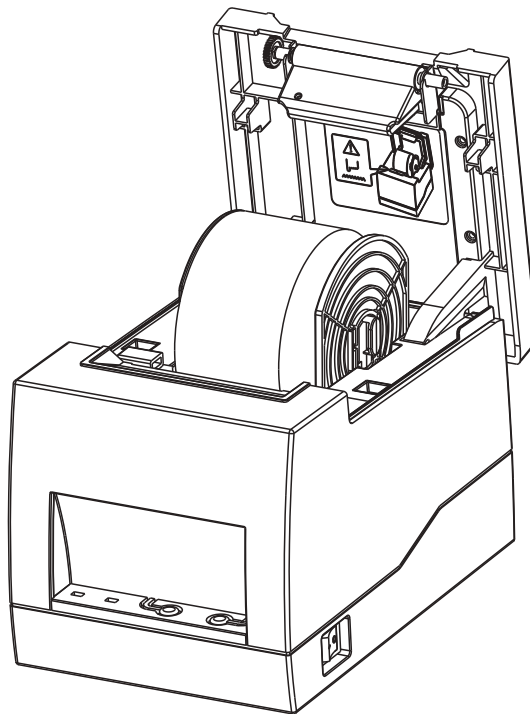
2. Hold the printer and lift up the paper roll spindle and the paper roll stopper.



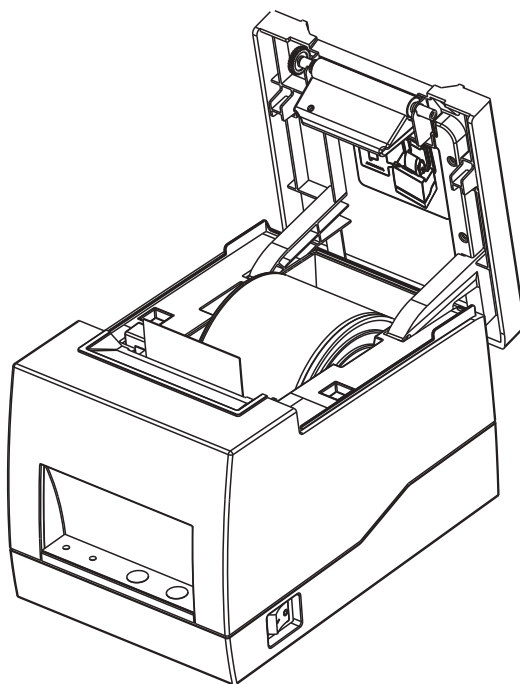
3. Pull out the paper roll stopper to the right and load the paper roll. Fix the paper roll with the paper roll stopper according to the roll paper width.



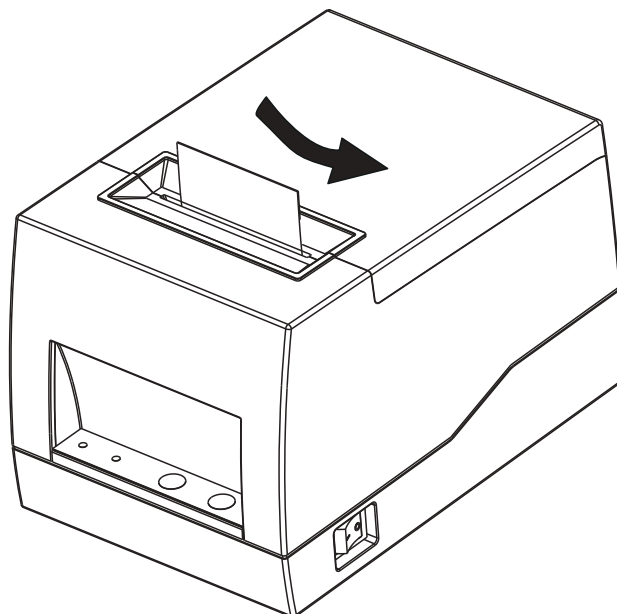
4. Load the paper roll set into the printer from top to bottom.



5. Pull out part of the paper roll through the paper guide, and close the paper guide according to the paper width to regulate both sides of the paper.

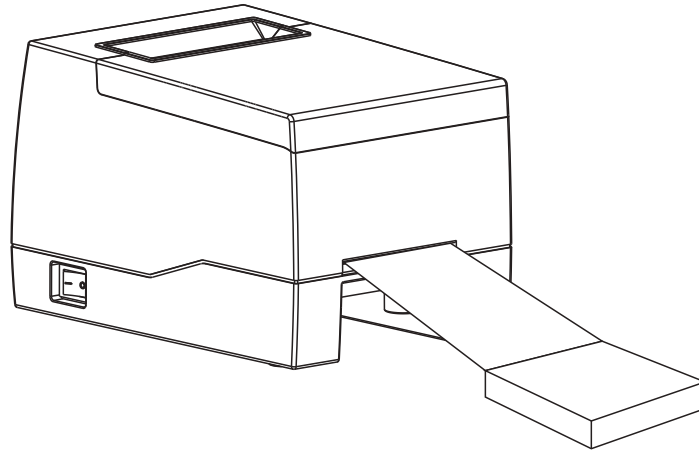


6. Press down until the top cover closes

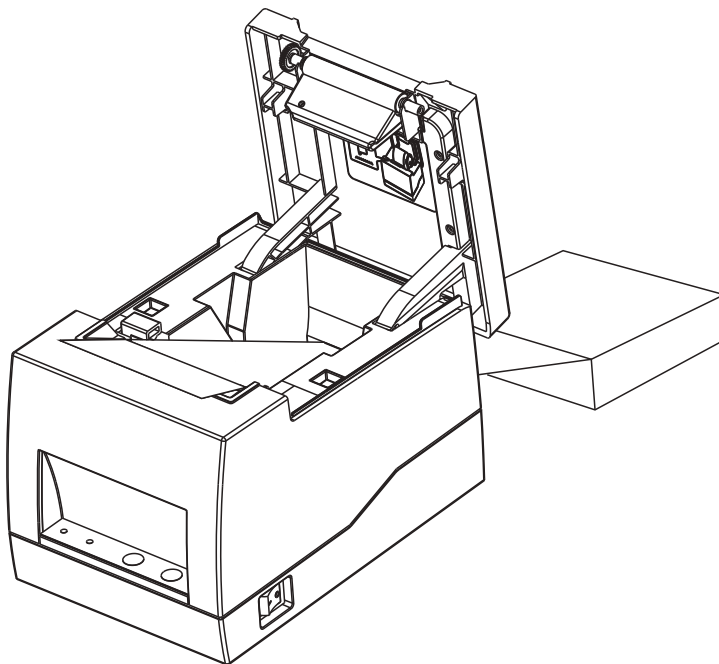


3.1.2 Installing folding paper

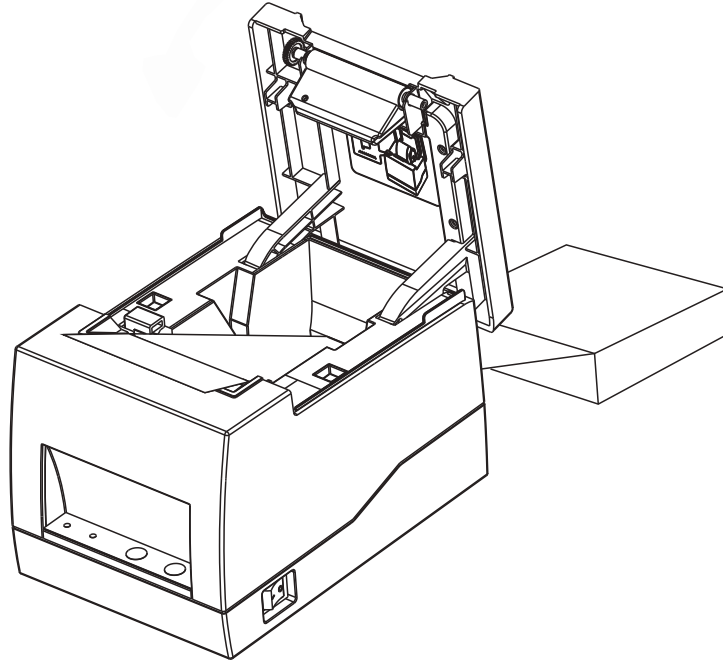
1. Place the folded label paper at the back of the printer. With the printing side facing up, insert into the printer from the external paper roll inlet.



2. Open the printer top cover, pull out the paper roll to the front of the printer.

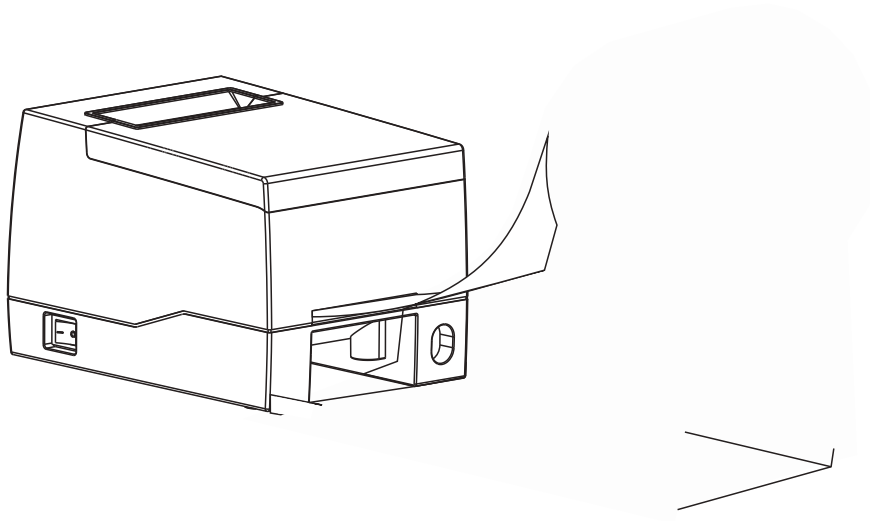


3. Press down the top cover until it locks with a click.



3.1.3 Installing the external paper roll bracket

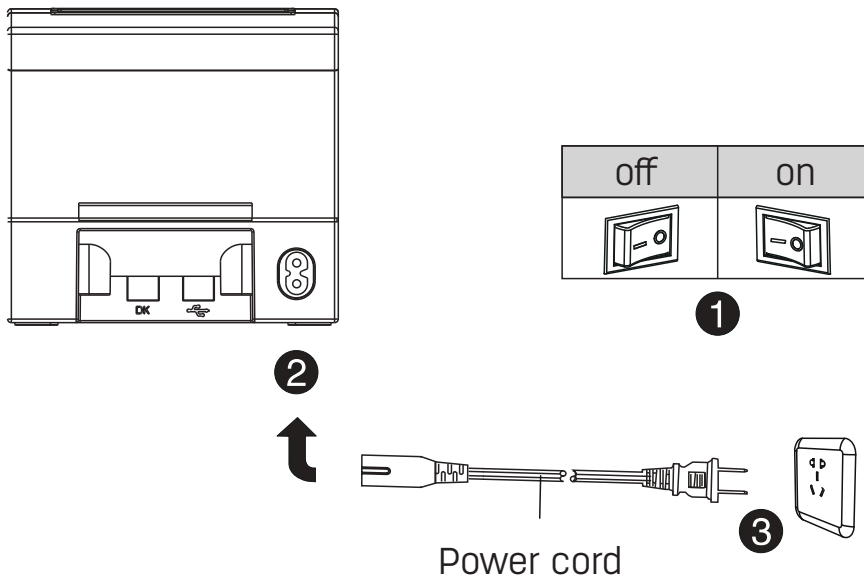
When folding paper is used, or the paper roll is too large to be put into the paper bin, you can feed the paper from the paper inlet of the external paper roll as shown in the figure below, and then pass the paper underneath the paper guide, adjust the guide based on the paper width to regulate the paper.



Note:: The paper roll bracket can be fixed on both sides with locking pins.

3.2 Connecting the power cord

1. Make sure the printer's power switch is off (0).
2. Connect the power adapter to the printer.
3. Plug the power cord into the other end of the power supply.



Note:

Please use our company's original power adapter to avoid damage to the product and the possible cause of injury.

If you do not use the printer for a long period of time, unplug the printer power cable.

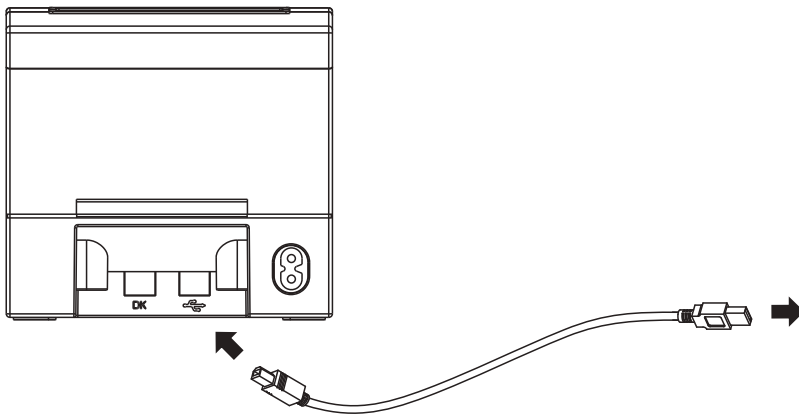
Power is interrupted, or the data cable becomes disconnected during printing: When all data has been transmitted to the printer and the power or data cable becomes disconnected, the unprinted content will not be printed or reprinted. When the data is partially transmitted to the printer, any unprinted content will be reprinted after the power and data cables are reconnected.

3.3 Interface connection

Connect the interface cable as shown in the figure below.

This printer supports the following communication interface standards:

--USB B-Type cable



1) Turn off the printer (0).

2) Please plug the communication cable to into the corresponding communication connectors of printer.

—USB port insert --USB B-Type cable

3.4 Operation panel

Power-on: When connected to power supply, move the power switch on the back side of the printer into the On position, the printer turns on and the indicator light is on.

Power-off: Move the power switch on the back side of the printer into the Off position, the printer turns off and the indicator light is off.

Paper feed:

1. Press the paper feed button and the printer will feed the paper to the specified outlet according to the type of paper used. For continuous paper, press and hold the paper feed button and the printer will feed a fixed length of paper; if you are using label paper, press the paper feed button once to feed out a whole page of label.

2. Press the paper feed button to pause the current printing task and the indicator light flashes blue, press this button again to resume the unfinished printing task;

Switch print modes: press the paper feed button and the pause button and then turn on the printer; release the buttons after the printer prints out "Current printer mode: XX mode".

Restore to factory settings: While the printer is off, press the pause button and turn on the printer; when the red light turns back on after 2 blinks, release the button, and the printer will print out "Restored to factory defaults successfully". The printer enters into label print mode after factory reset.

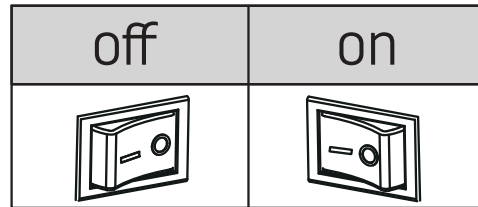
Description for indicator status

Power supply		Error		Indicator light status
Color	Action	Color	Action	
Blue	Stays on	Red	Off	Printer is ready for operation
Blue	Blinks slowly	Red	Off	Printer paused
Blue	Stays on	Red	Blinks slowly	Printer opens the cover
Blue	Stays on	Red	Blinks fast	Printer is out of paper/Abnormal label positioning
Blue	Blinks fast	Red	Blinks fast	Printer is overheated

3.5 Basic function

3.5.1 Power ON/OFF

Press "O" to turn off the power, and press "I" to turn on the power.



3.5.2 Printing test

When the printer is initially installed, or if there is any problem with the printer, you can execute the self-check program to confirm the following status.

Hardware version, printer parameter setting status,

If you confirm no problems with the printer after the self-check, such as printing quality and related setting information of external devices, please check other devices or software. This function runs independently with other devices or software.

- Print a test page manually

- 1) Ensure the power is connected, and the paper roll is properly installed.

- 2) The printer turns on.

- 3) While the printer is off, press and hold the paper feed button and turn on the printer; when the error light turns off, release the button, and the printer will print a self-test page.

- Printing with Windows driver

- 1) Please refer to the "Windows Driver Manual" to complete the installation.

- 2) Set the "Port" of the Windows driver to the corresponding interface.

- 3) Use the "Print Test Page" function of the Windows driver to print a test page.

3.6 Bluetooth guide

Use your device to pair with the Bluetooth printer before use.

Please pair your device as follows:

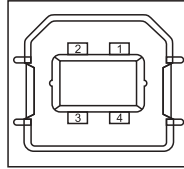
1. Power on the printer, and you may pair your device after the printer turns on;
2. Download the Deli Label Print app;
3. Open the app, search for Bluetooth devices with your mobile phone, and then select the corresponding printer to connect;
4. Complete the pairing.

Download the APP

1. Print a test page, then scan the QR code in your test page to download the Deli Label Print app.
2. Download the Deli Label Print app from app stores such as Myapp or APP Store.

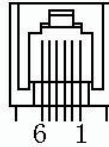
Chapter 4 Interface signal

4.1 USB



Pin number	Signal name
1	VBUS
2	D-
3	D+
4	GND

4.2 Cash drawer



Pin number	Signal name
1	FG
2	Drawer 1
3	DRSW
4	VDR
5	Drawer 2
6	GND

Chapter 5 Cleaning the printer

Printing quality might be degraded by dust, foreign substance, adhesive substance, or other pollution materials stuck in the printer head or inside the printer. When dirty, clean the print head as follows:

※ Caution

- 1) Make sure to turn the printer power off prior to cleaning.
- 2) Turn the printer off and wait for 2 -3 minutes before cleaning the printhead because it gets very hot during the printing process.
- 3) When cleaning the print head, take care not to touch the heated portion of the print head to avoid any damage caused by static electricity or other factors.
- 4) Take care not to allow the print head to become scratched and/or damaged in any way."

5.1 Cleaning the print head

- 1) Open the top cover of the printer, and then use the cleaning pen or a cotton swab dipped in diluted alcohol (or isopropanol) to clean the print head in the direction from the center of the head to the edges.
- 2) After cleaning the head, do not use the printer until the alcohol used for cleaning evaporates completely (1~2 min) and the printer head has completely dried.

5.2 Cleaning the sensor, roller and paper path

- 1) Open the top cover of the printer and take out the paper roller.
- 2) Remove any dust or foreign materials using a dry cotton cloth or cotton swabs.
- 3) Use an alcohol-soaked cotton cloth or cotton swabs to wipe off any adhesive substance or pollution materials
- 4) After cleaning the parts, do not use the printer until the alcohol used for cleaning evaporates completely (1~2 min) and the printer has completely dried.

※ Please clean the parts, when the print quality deteriorates or paper detection performance decreases