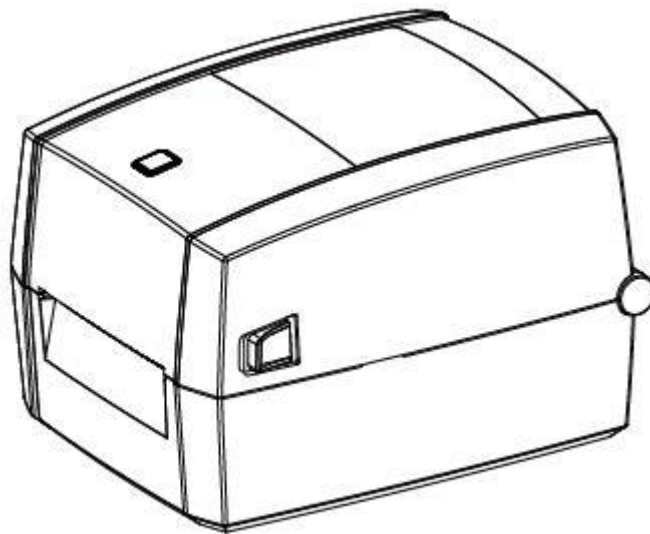


---

# USER MANUAL

THERMAL LABEL PRINTER



MODEL: 888T

---

---

# CONTENTS

<b>MANUAL INFORMATION</b> .....	<b>1</b>
<b>SAFETY PRECAUTIONS</b> .....	<b>1</b>
<b>CHAPTER 1. PRODUCT INTRODUCTION</b> .....	<b>5</b>
1.1 Unpacking checklist.....	5
1.2 Physical appearance and components.....	6
1.3 Product dimensions.....	7
<b>CHAPTER 2. PRODUCT SPECIFICATIONS</b> .....	<b>8</b>
2.1 Technical specifications.....	8
<b>CHAPTER 3 INSTALLATION AND OPERATION</b> .....	<b>9</b>
3.1 Installation media.....	9
3.1.1 Loading the paper roll.....	9
3.1.2 Installing folding paper.....	12
3.1.3 Installing the external paper roll bracket.....	14
3.1.4 Installing the ribbon.....	15
3.2 Power connection .....	17
3.3 Interface connection.....	18
3.4 Label detection.....	18
3.5 Printing test.....	19
3.6 Basic function.....	20
3.6.1 Power ON/OFF.....	20
3.6.2 Paper feed.....	20
3.6.3 Printing test .....	20
3.6.4 Label printing training .....	21
<b>CHAPTER 4 INTERFACE SIGNAL</b> .....	<b>22</b>
<b>CHAPTER 5 CLEANING THE PRINTER</b> .....	<b>23</b>
5.1 Cleaning the print head.....	23
5.2 Cleaning the sensor, roller and paper path.....	23

---

---

## Manual information

This user manual contains essential information for the installation and use of the product.

The following section provides a more detail description about various technical issues and information.

### 1.Windows Driver Manual

This manual provides Windows driver installation instructions.

### 2.Printer Utility Manual

The manual specifies how to use the product's function selection software and its operating conditions.

### 3.Programming manual

This manual provides information on label printer instructions.

## SAFETY PRECAUTIONS

Please read the precautions carefully before operating the printer to avoid personal injury or machine damage.

### 1. Warning symbols

⚠ WARNING Must be followed to avoid injury to the user and/or damage to the equipment.

⚠ Note Signals important information and tips for printer operation.

### 2. Safety precautions

⚠ WARNING: Violating following instructions may cause serious injury or death.

1) Do not insert several plugs into a multi-outlet power strip at the same time.

- This can cause overheating and a fire.
- If the plug is wet or dirty, dry or wipe it clean before use.

- 
- Do not use the electrical outlet if it's not compatible with the power cord plug.
  - You should only use standard multi-outlet power strips.
- 2) You should only use the adapter provided in this package.
    - It is not safe to use other adapters.
  - 3) Do not unplug it by pulling on the power cord
    - This may damage the power cord and cause a fire or printer malfunction.
  - 4) Do not plug or unplug the power cord with wet hands.
    - This may cause electric shock.
  - 5) Do not bend the power cord excessively or place heavy objects on it
    - Damaged power cords may cause a fire.

⚠ Note: Violating following instructions can cause slight wound or damage the appliance .

- 1) If you find smoke, smell or noise coming out of the printer for unknown reason, please unplug the power cord and take proper emergency measures.
    - Turn off the printer and unplug power cord.
    - After the smoke clears, call the dealer for repairs.
  - 2) Place the printer on a stable and flat surface.
    - If the printer drops to the ground, it may break and cause personal injury.
  - 3) You should only use approved accessories, and do not attempt to disassemble, repair or modify the printer by yourself.
    - Please call the dealer if you need any of the above-mentioned services.
  - 4) Do not let water or other objects get inside the printer.
    - In case it happens, turn off the printer and unplug the power cord Then call the dealer for service.
  - 5) Do not use the printer when there is a malfunction, as this may cause fire or electric shock.
    - Please turn off the printer and unplug the power cord. Then call the dealer for service.
-

---

## 6) Other matters to note.

Leave enough space around the printer for operation and maintenance purpose

Keep the printer away from water, direct sunlight, strong light and heat sources.

Do not use or store the printer in places with high temperature, high humidity or heavy pollution.

Avoid placing the printer in places subject to vibrations and shocks.

Connect the printer's power adapter to a properly grounded electrical outlet, and avoid using the same outlet with large appliances or devices that can cause voltage fluctuations.

Please disconnect the power supply if you are not going to use the printer for a long period of time.

To ensure print quality and extend the life of the printer, it is suggested to use recommended or equivalent quality printer paper.

Shut off the power before plugging or disconnecting of interfaces, otherwise it may damage the printer control circuits.

Please keep this manual in a proper place for future references.

### **3. Other matters to note**

Although we have been very careful on the compiling of this manual, however, errors and/or omissions are still inevitable. The company will not assume any responsibility for any losses on anyone due to the use of information in this manual. For users and third parties, the company and its subsidiaries will not be liable for any product damage, failure or misuse caused by not following or ignoring the operation, maintenance information and/or instructions provided by the company; and for losses, costs or expenses caused by unauthorized changes, repairs or modifications to the product. The company shall not bear any responsibility with regard to damages and/or problems caused by the use of counterfeit accessories, parts or unauthorized products.

Note: Due to continuous product improvement, specifications, accessories and/or procedures described herein are subject to change without notice.

---

#### **4.WEEE (Waste Electrical and Electronic Equipment)**



The symbol placed on the product indicates that the item should not be mixed with general household waste. If such waste is not properly managed, it may harm both environment and human health. To prevent possible harm to the environment or human health from uncontrolled waste disposal, please separate these items from other types of waste and recycle them responsibly to promote the sustainable reuse of material resources. Household users should contact either the retailer where they purchased this product, or their local government office, for details of where and how they can take these items for environmentally safe recycling. Business users should contact their supplier and check the terms and conditions of the purchase contract. This product and its accessories should not be mixed with other commercial wastes for disposal.

---

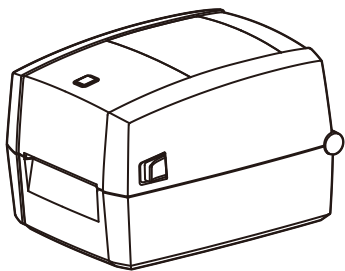
# 1 PRODUCT INTRODUCTION

## 1.1 Unpacking checklist

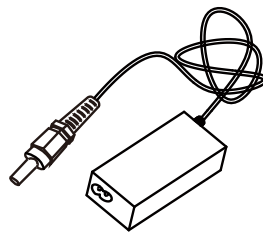
1) Unpack the printer and save the packing materials in case you need to repack the printer for shipping or storage.

2) Please contact the dealer for any defect and/or missing of accessory.

Printer, power adapter, power cord, USB cable, installation CD, carbon ribbon + paper roll (carbon ribbon is exclusively for DL-888T), user manual, warranty card, QA certificate.



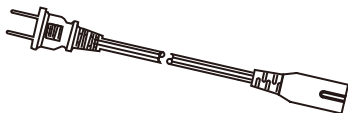
Printer



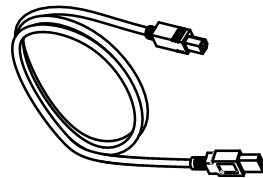
Power adapter



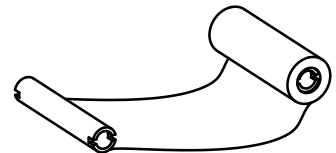
User manual



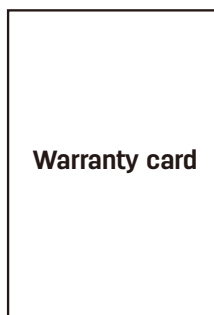
Power cord



USB cable



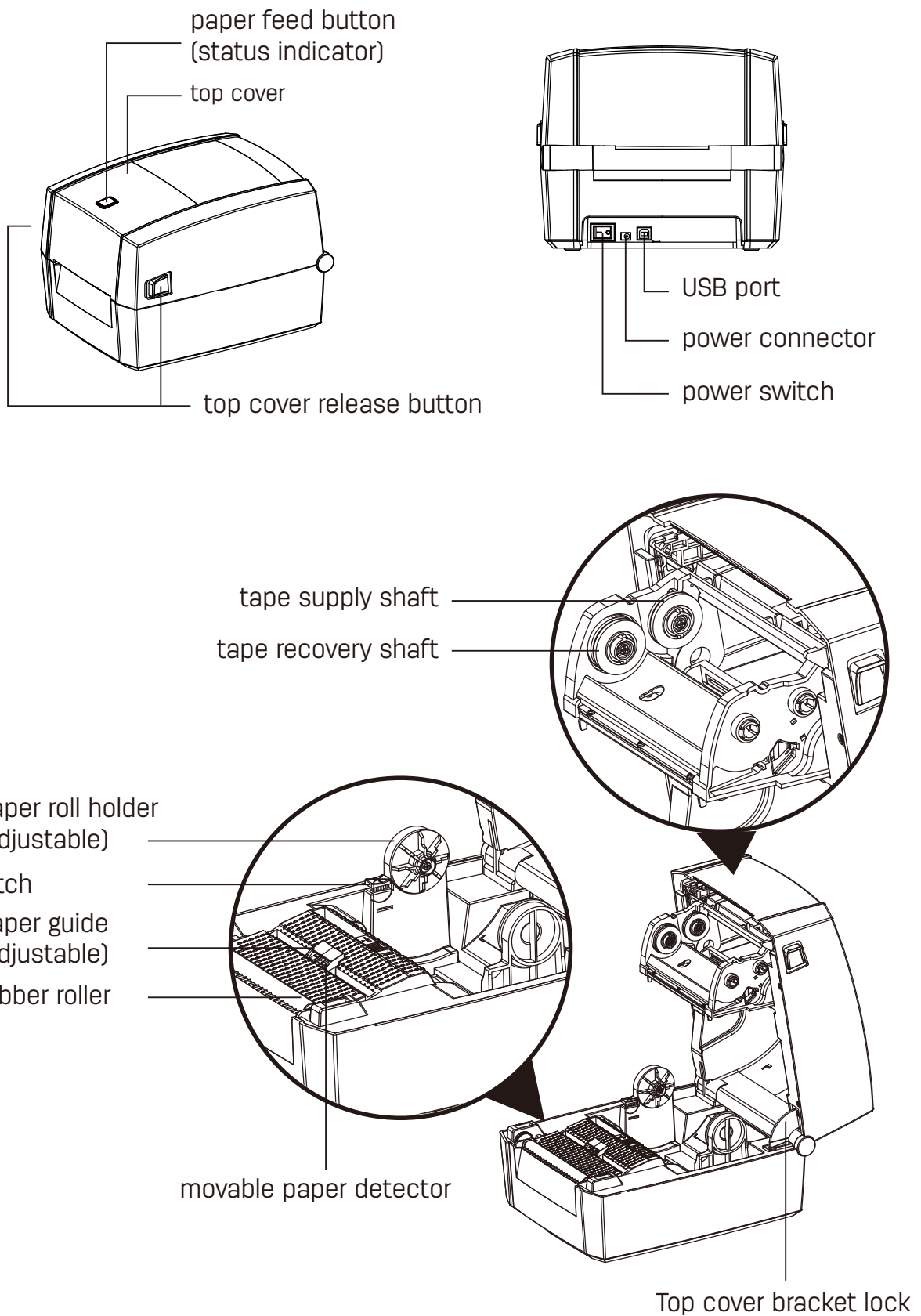
Carbon ribbon + Paper roll (DL-888T only)



Warranty card

Note: The printer supports Bluetooth function.

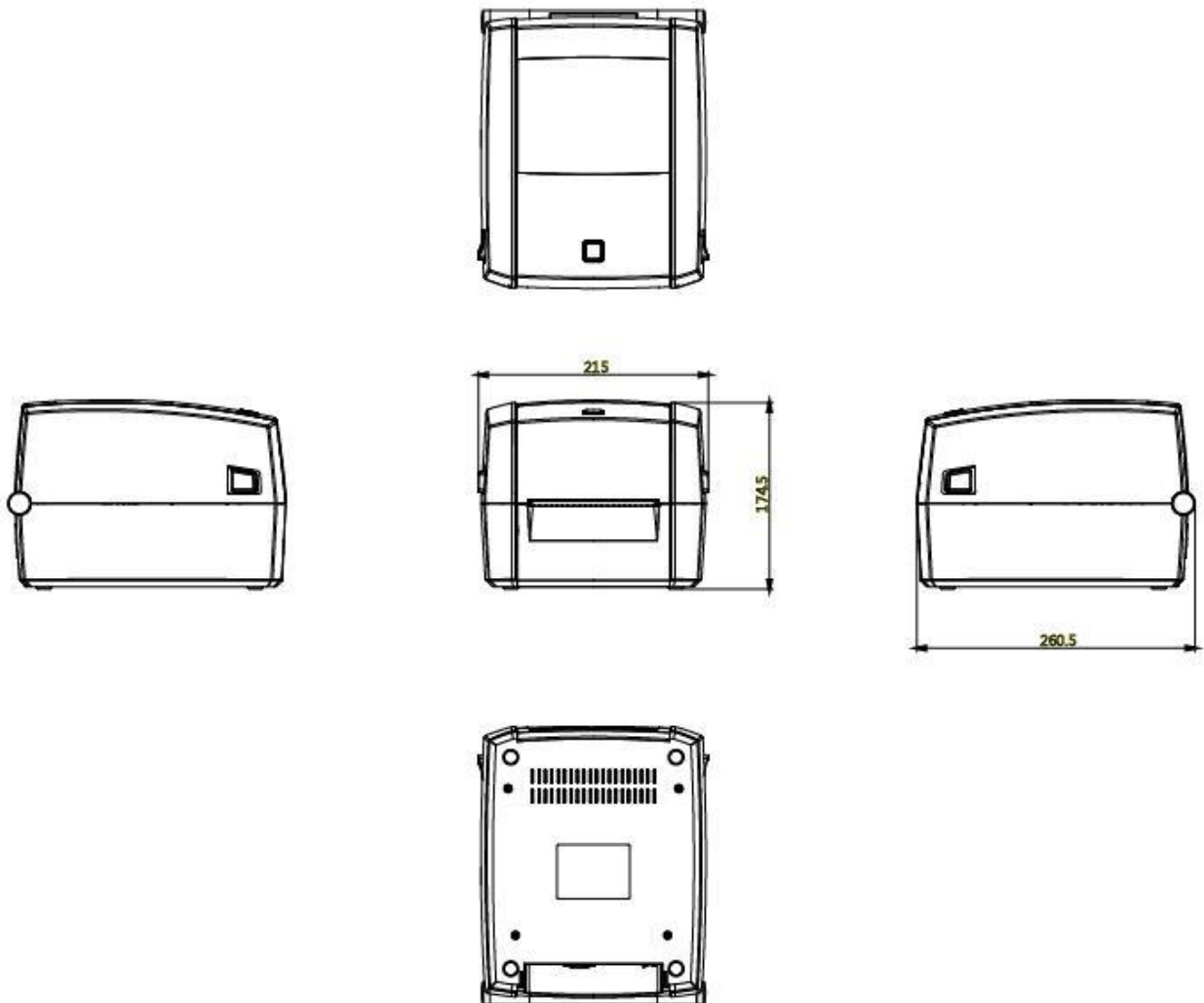
## 1.2 Physical appearance and components





---

## 1.3 Product dimensions



## 2 PRODUCT SPECIFICATIONS

Item		Parameter
Printing	Print method	Thermal transfer/Direct thermal
	Print resolution	203 dpi (8 dots/mm)
	Printing speed	102mm/s
	Print width	108mm
	Print length	15-300mm
Processor		32-bit RISC
Memory	RAM	2MB
	Flash memory (optional)	2MB
Detection	Sensor	Out of paper detection,seam mark detection, Gap detection, black mark detection, thermal head temperature detection.
Consumable	Type	Standard thermal paper/fold or roll paper, die cut or continuous roll labels
	Width	1.38"(35 mm)- 4.65"(118 mm)
	Thickness	0.003" (76.2 μm)-0.007"(177.8 μm)
	Paper roll diameter	5" (127 mm)
	Core inner diameter	0.5" (12.7 mm)
Carbon Ribbon (DL-888T only)	Type	Wax base, mixed base, resin base
	Width	1.38"(35 mm)- 4.65"(118 mm)
	Length	328" (100 meter)
	Core inner diameter	0.5" (12.7 mm)
Programming language		TSPL
Software function	Label design	Bartender UltraLite
	Driver	Windows 2000,XP,Vista7,8,10
Built-in fonts	Bitmap fonts	6, 8, 12, 16, 32, OCR A & B. 90°, 180°, 270° rotatable and 10 times expandable in horizontal and vertical directions
	Vector font	Monospaced CGTriumvirate™ vector font
Code page		DOS437,720,737,755,775,850,852,855,856,857,858,860,862,863,864,865,866, Windows1250,1251,1252,1253,1254,1255,1256,1257,1258 ISO8859-1,-2,-3,-4,-5,-6,-8,-9,-15 DBCS 932(JIS), 936(GBK), 949(Koran),950(BIG5)
Barcodes	1D	Code 39, Code 93, Code 128UCC, Code 128 subset A, B, C, Codabar,Interleave2of5,EAN-8, EAN-13,EAN-128, UPC-A, UPC-E, EAN and UPC 2 (5) digits add-on, MSI, PLESSEY, POSTNET, RSS-Stacked, GSI DataBar, Code 11
	2D	PDF417,Maxicode,DataMatrix,QR Code,Aztec
Interface		USB
human-machine interface		LED indicator
Power Adapter		Power on/off Input: DC 100-240V, 50/60 Hz, output: DC 24V/2A, peak current 5A
Environment parameters	Operating	41°F(5°C)-104°F(40°C), 30%-85%,(no condensation)
	Storage	-4°F(-20°C)-122°F(50°C), 10%-90%(no condensation)
Physical parameters	Dimensions (L x H x W)	260.5*174.5*215 mm
	Weight	1.80 kg (without consumables)
Options and accessories		8in. OD external label roll holder/external label roll holder or folding paper container
Certificate		CE

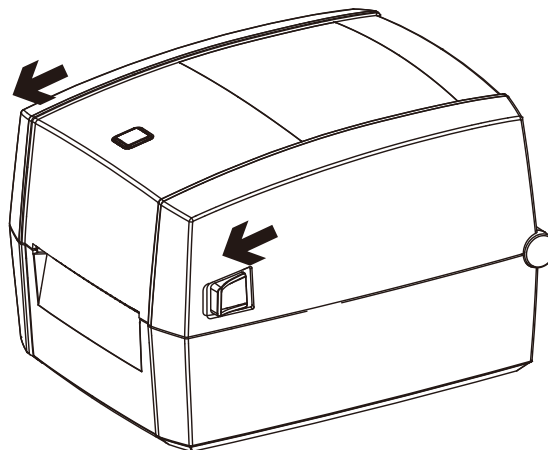
---

## 3 INSTALLATION AND OPERATION

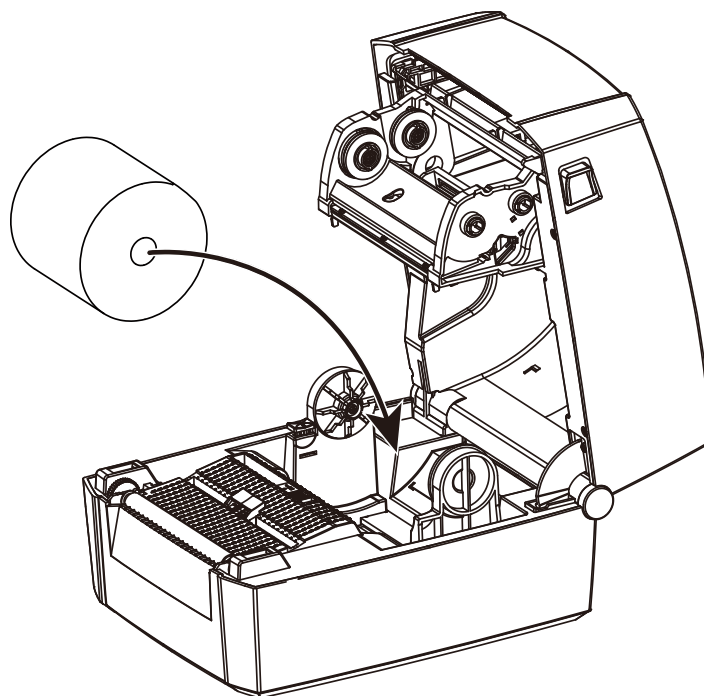
### 3.1 Installation media

#### 3.1.1 Installing the paper roll

1. Facing the front of the printer, open the top cover button in the direction indicated by the arrow and lift the top cover upward.

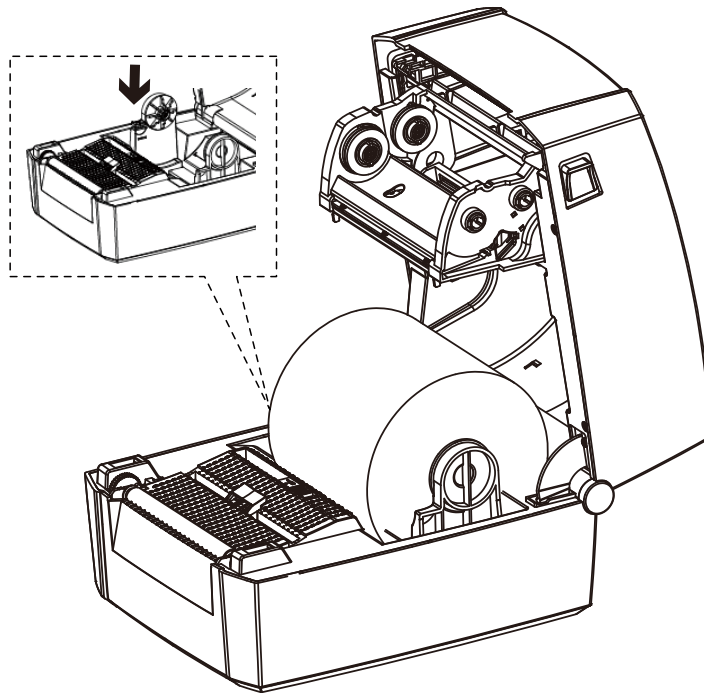


2. Open the paper roll holder and adjust the width in according to the width of the paper roll, insert the paper roll.

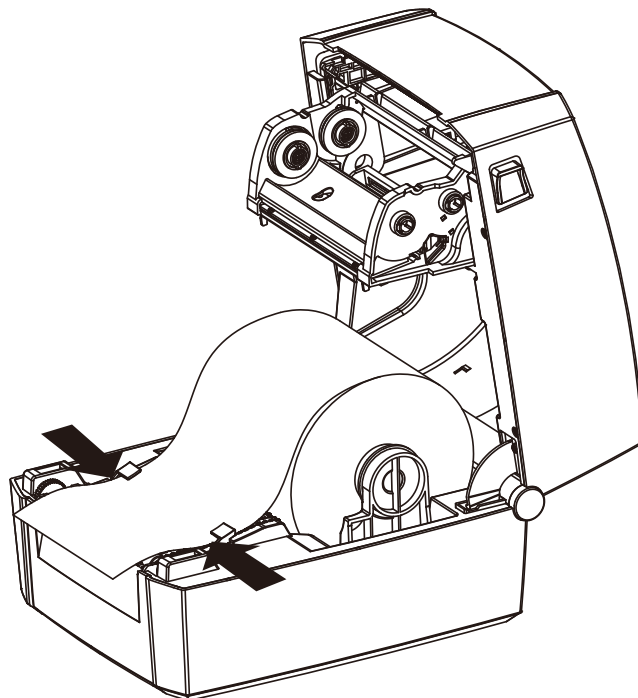


---

3. Ensure the paper roll is securely attached to the paper roll holder, and then press down the latch.

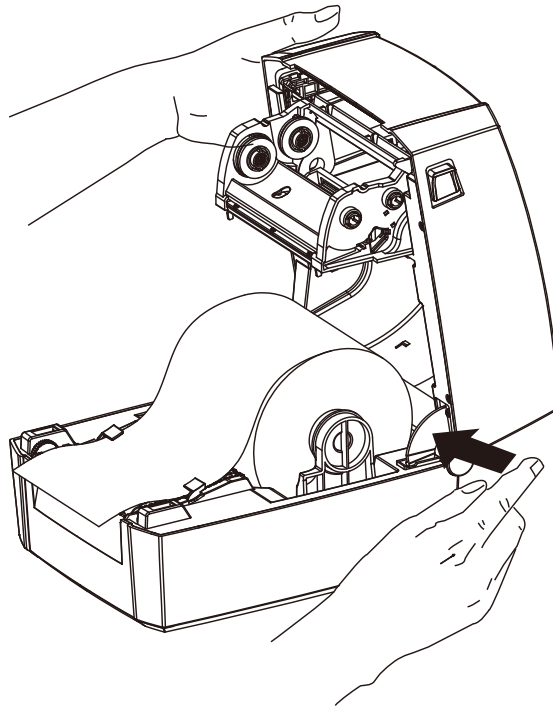


4. Pull out part of the paper roll through the paper guide, and close the paper guide according to the paper width to regulate both sides of the paper.

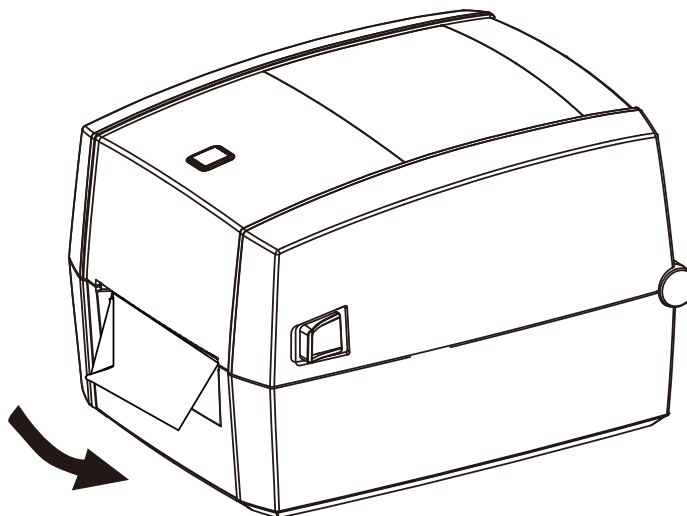


---

5. Hold the top cover of the printer with your left hand, press the top cover bracket lock with your right hand in the direction of the arrow, and lower the top cover.



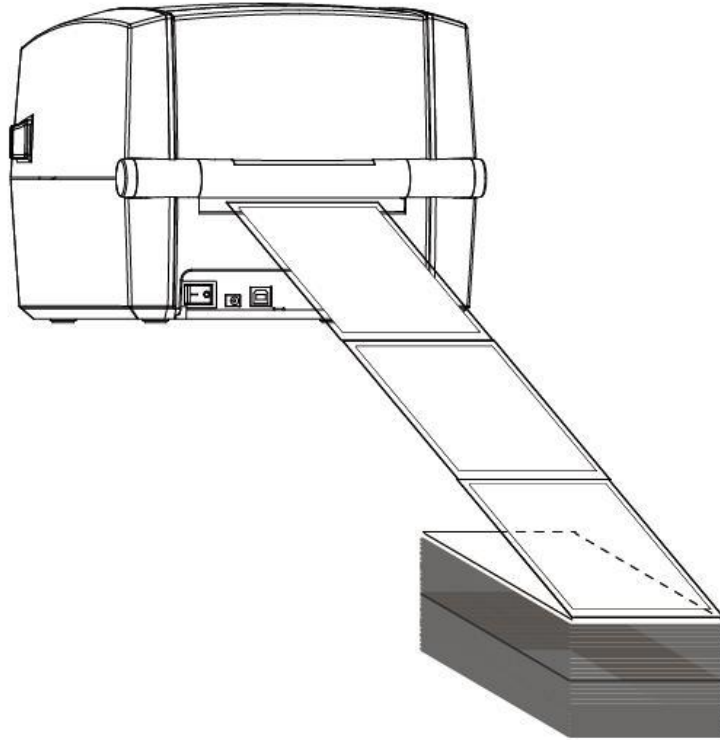
6. Press down until you hear a click. Tear off any excess paper in the direction of the cutting blades.



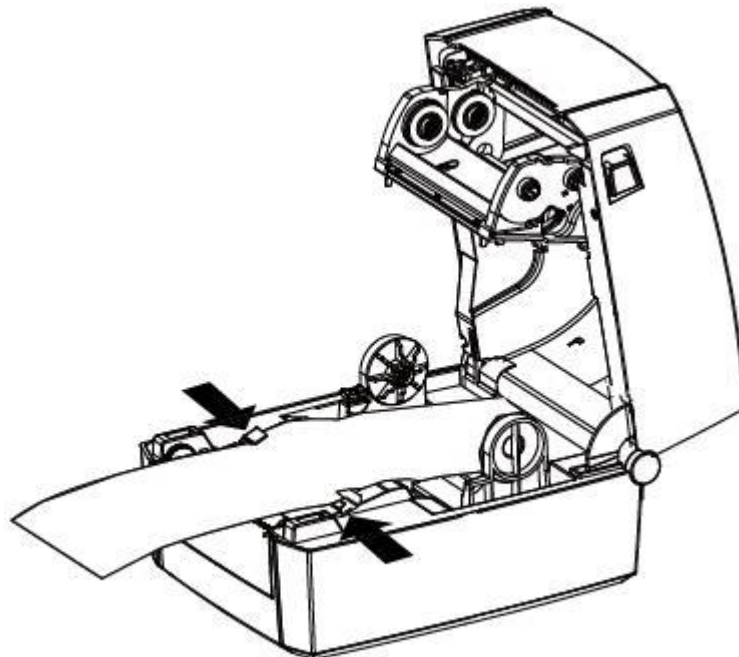
---

### 3.1.2 Installing folding paper

1. Place the folded label paper at the back of the printer. With the printing side facing up, insert into the printer from the external paper roll inlet.

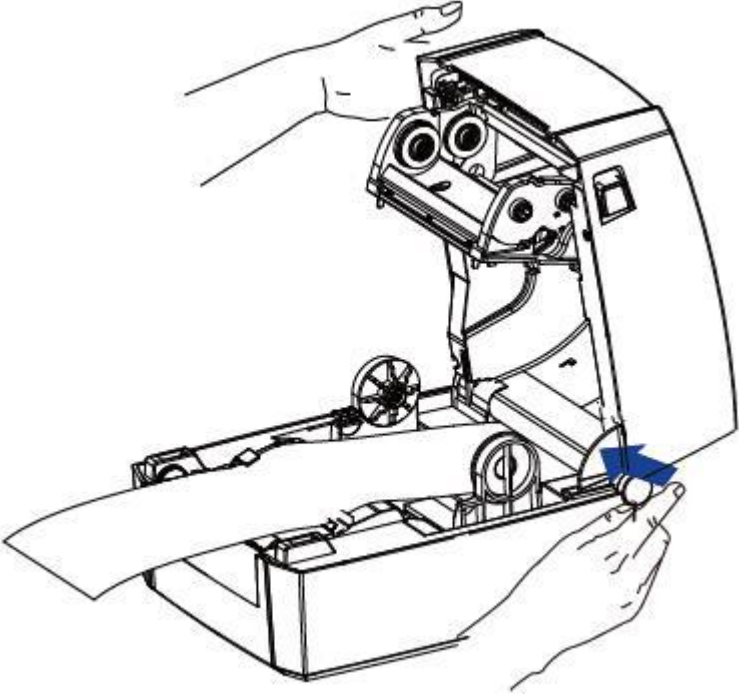


2. Open the printer top cover, pull out the paper roll to the front of the printer, and adjust the paper guide according to the paper size.

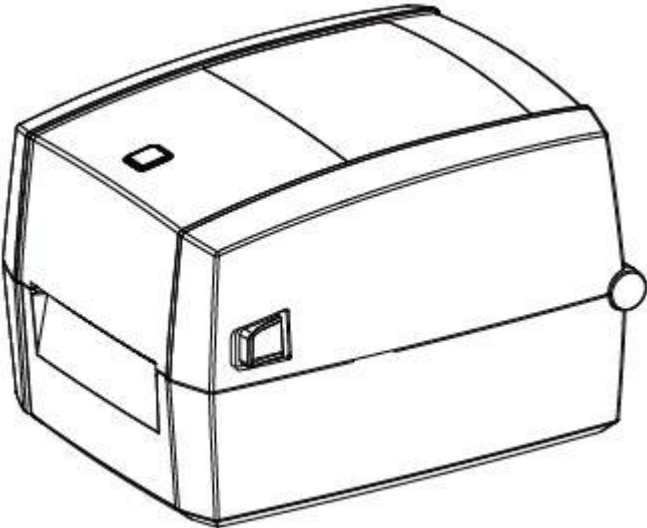


---

3. Hold the top cover with your left hand, and press the top cover bracket lock with your right hand in the direction shown.



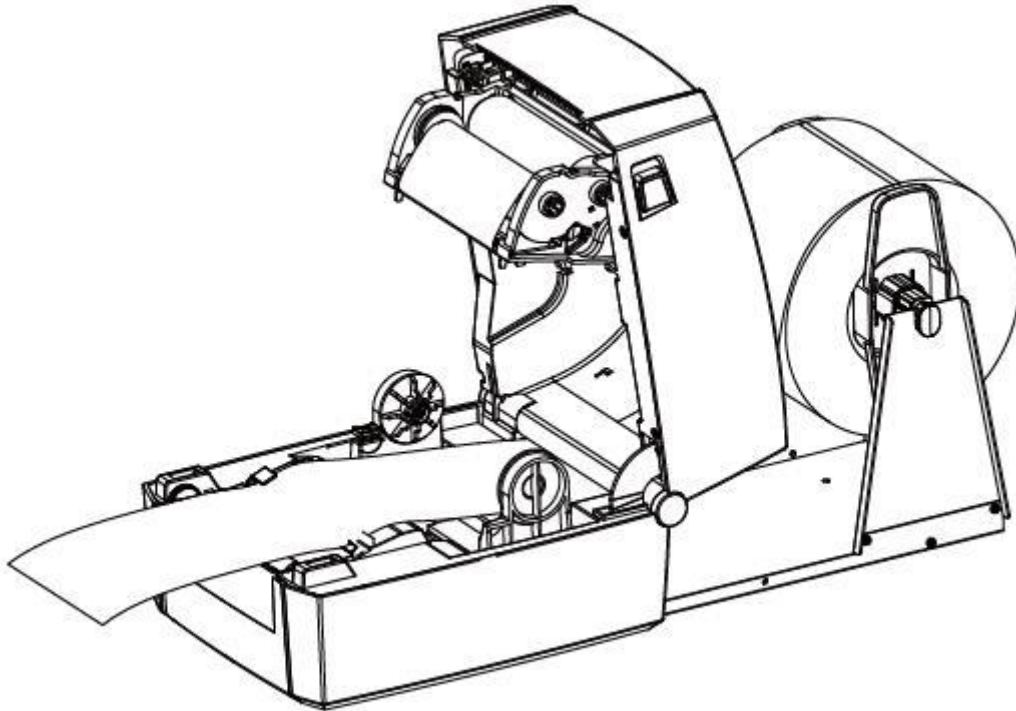
4. Press down the top cover until it locks with a click.



---

### 3.1.3 Installing the external paper roll bracket

When folding paper is used, or the paper roll is too large to be put into the paper bin, you can feed the paper from the paper inlet of the external paper roll as shown in the figure below, and then pass the paper underneath the paper guide, adjust the guide based on the paper width to regulate the paper.



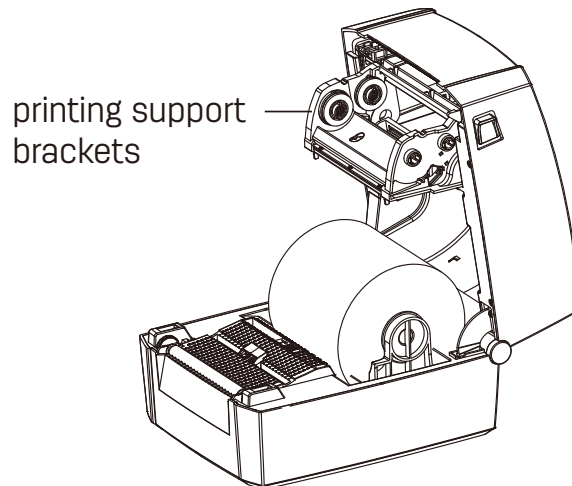
Remarks: The paper roll bracket can be fixed on both sides with locking pins.



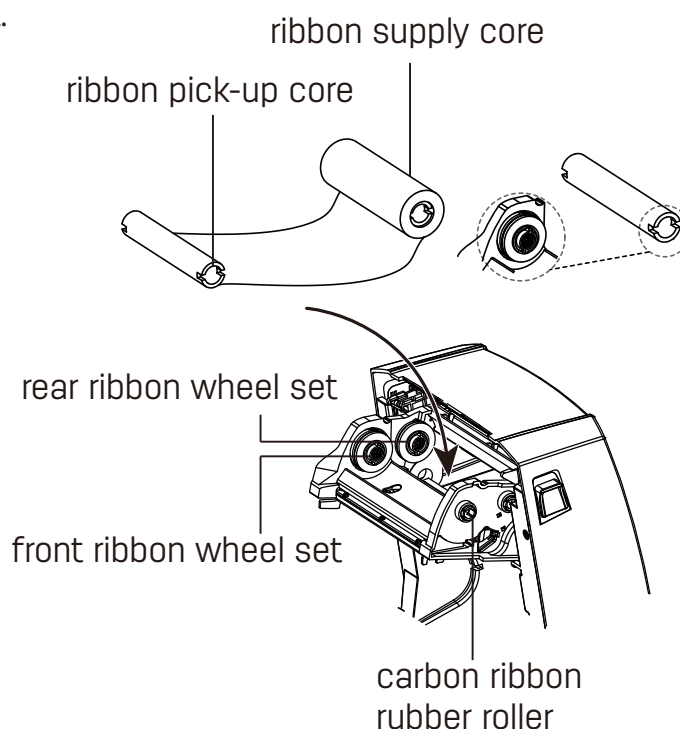
---

### 3.1.4 Install the Thermal Transfer Ribbons(DL-888T only)

1. Facing the front of the printer, press the open button for the top cover with both hands simultaneously, lift the top cover up, and the printing support brackets will automatically open.

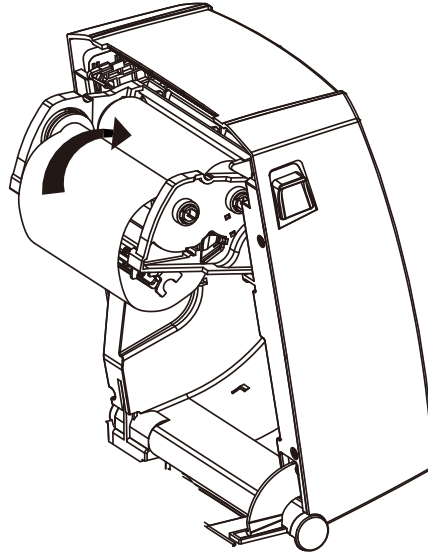


2. First pass the ribbon recovery core through the print support set from top to bottom, then press the right end of the ribbon supply core onto the spring-loaded ribbon pin on the ribbon supply shaft, and then install the left end of the ribbon into the ribbon For the rear dial group, rotate the supply shaft core until the notches are aligned and locked to the rear dial group on the left side of the supply shaft. The installation method of the ribbon recovery shaft is the same as above, press its right end on the ribbon recovery On the ribbon pin of the shaft, put the left end of it into the ribbon front wheel set and lock it.

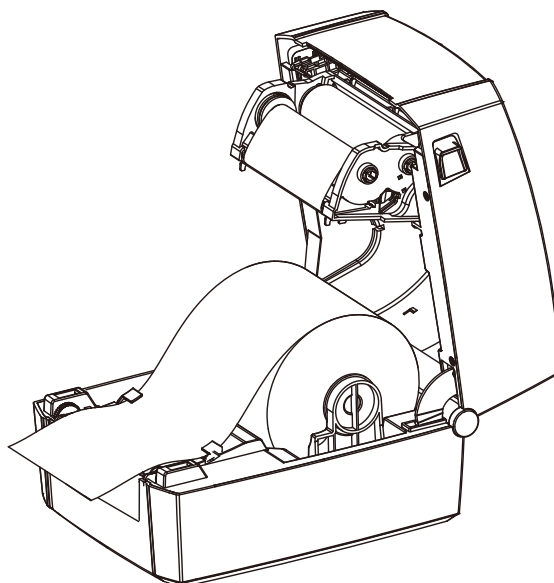


---

3. Turn the ribbon pick-up shaft gear counterclockwise to rewind the ribbon to a tight and flat condition. (ribbon supply core, ribbon pick-up core, rear ribbon wheel set, front ribbon wheel set, ribbon pin)



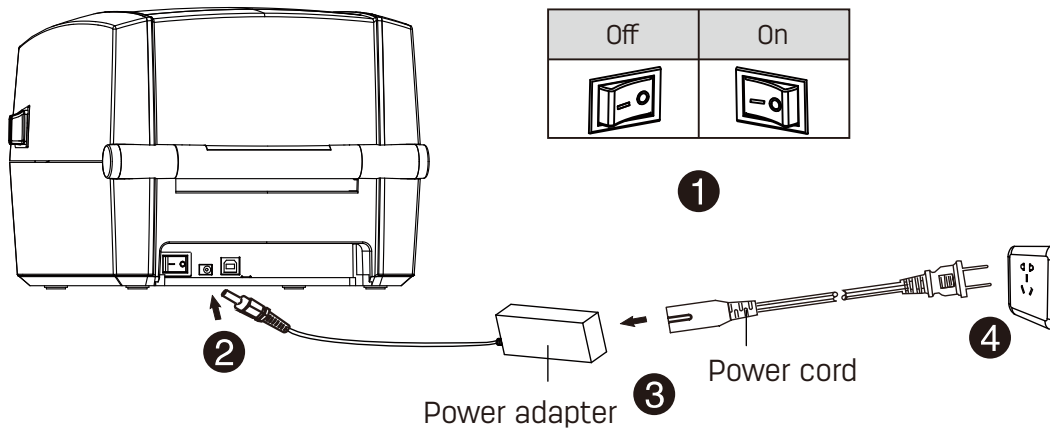
4. Close the top cover of the printer, and the print head assembly will automatically close.



---

## 3.2 Power connection

1. Make sure the printer's power switch is off (O).
2. Connect the power adapter to the printer.
3. Connect the power cord to the power adapter.
4. Plug the power cord into the other end of the power supply.



### Note:

Please use our company's original power adapter to avoid damage to the product and the possible cause of injury.

If you do not use the printer for a long period of time, unplug the printer power cable.

Power is interrupted, or the data cable becomes disconnected during printing: When all data has been transmitted to the printer and the power or data cable becomes disconnected, the unprinted content will not be printed or reprinted. When the data is partially transmitted to the printer, any unprinted content will be reprinted after the power and data cables are reconnected.

### Boot positioning:

To better position the self-adhering label paper with a height of  $\leq 80$  mm when it is turned on for the first time, this model will display the blank paper positioning function after printing the first copy to better identify the label height.

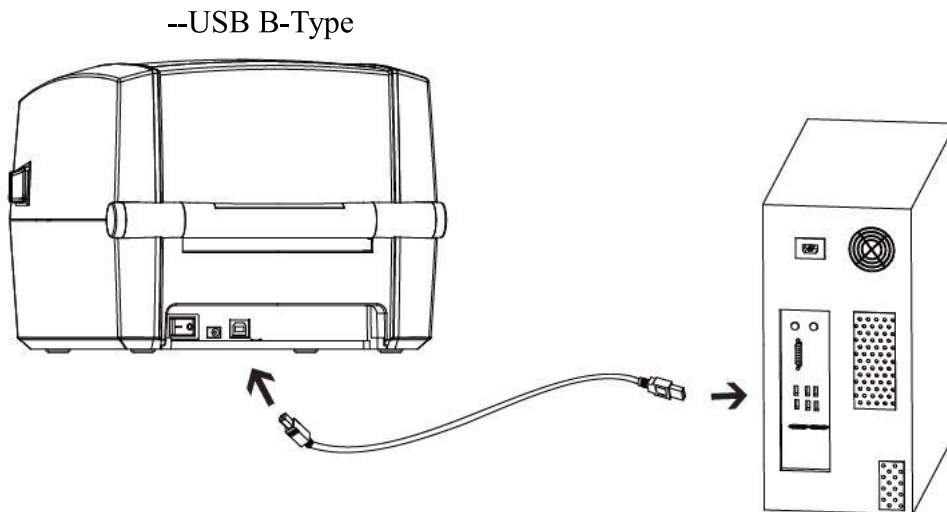
---

### 3.3 Interface connection

Connect the interface cable as shown in the figure below.

This printer supports the following communication interface standards:

--USB B-Type cable

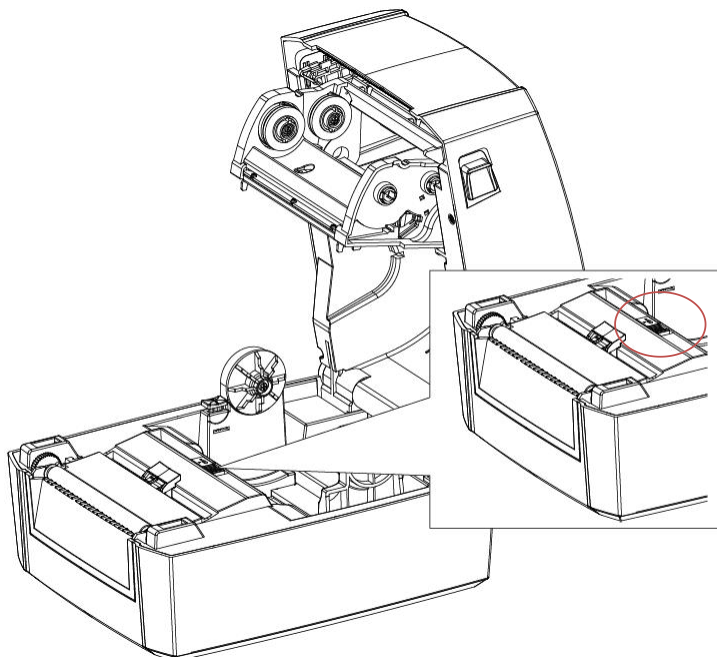


1) Turn off the printer (0).

2) Please plug the communication cable to into the corresponding communication connectors of printer.

Please connect the USB B-Type cable to the USB interface.

### 3.4 Label detection



---

## 3.5 Operation panel

**Power-on:** When connected to power supply, move the power switch on the back side of the printer into the On position, the printer turns on and the indicator light is on.

**Power-off:** Move the power switch on the back side of the printer into the Off position, the printer turns off and the indicator light is off.

**Paper feed:**

1. Press the paper feed button and the printer will feed the paper to the specified outlet according to the type of paper used. For continuous paper, press and hold the paper feed button and the printer will feed a fixed length of paper; if you are using label paper, press the paper feed button once to feed out a whole page of label.

2. Press the paper feed button to pause the current printing task and the indicator light turns white (blue, green, red), press this button again to resume the unfinished printing task;

Description for indicator status:

LED Indicator					Printer status
Color			Display color	Status	
Blue	Green	Red			
√	-	-	Blue	On	Printer is ready for operation
√	-	-	Blue	Blinking	RAM test failed
√	-	√	Pink	On	Printer head is overheated
√	-	√	Pink	Blinking	No or low printer ribbon
-	-	√	Red	On	Position sensor is not in place
-	-	√	Red	Blinking	Out of paper
-	√	√	Yellow	On	Voltage is too low or too high
-	√	√	Yellow	Blinking	Paper jam
√	√	√	White	On	Printer paused

---

## 3.6 Basic function

### 3.6.1 Power ON/OFF

Press "0" to turn off the power, and press "1" to turn on the power.

### 3.6.2 Paper feed

Press the paper feed button and the printer will feed the paper to the specified outlet according to the type of paper used. For continuous paper, press and hold the paper feed button and the printer will feed a fixed length of paper; if you are using label paper, press the paper feed button once to feed out a whole page of label.

### 3.6.3 Printing test

#### 3.6.3.1 Printing a self-test page

When the printer is initially installed, or if there are any problems with the printer, you can execute the self-check program to confirm the following status.

Hardware version, printer parameter setting status, if you confirm no problems with the printer after the self-check, such as printing quality and related setting information of external devices, please check other devices or software. This function runs independently with other devices or software.

This is the self-test process:

- 1) Ensure the power is connected, and the paper roll is properly installed.
- 2) Make sure that the printer is off and the top cover is properly shut.
- 3) Press and hold the paper feed button, then press the power button to turn on, and release the button when the printer starts to print the self-test page.

#### 3.6.3.2 Printing with Windows driver

- 1) Please refer to the "Windows Driver Manual" to complete the installation.
- 2) Set the "Port" of the Windows driver to the corresponding interface.
- 3) Use the "Print Test Page" function of the Windows driver to print a test page.

---

### 3.6.4 Label printing training

Note: Under the following situations, the users may learn about label positioning so that they can better position the labels with this printer:

Set up your printer for the first time;

Use the printer for the first time after the sensor is cleaned;

Reuse the printer after a period of not using;

Change a new type of paper roll

The printer cannot effectively recognize the symbol during the printing process;

The surrounding environment of the printer has been changed significantly;

How to determine your label position

1) Manually position the labels

2) Comprehensive detection through the printer tool software (for details please refer to "Printer Setting Tool Instructions" )

Manually position the labels:

In the Ready Mode, press and hold the paper feed button for 3 seconds until the printer power indicator blinks twice and then release the button.

The printer will enter the label detection mode; the user can also complete the detection through the printer tool software (for details please refer to "Printer Setting Tool Instructions" )

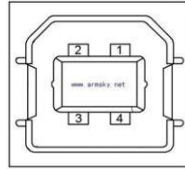
Note: After the label detection is completed, reopen the top cover and reload the test label paper for reuse to avoid waste.

Reprint After Error: The function is disabled at the factory, and can be enabled via the printing tool software

(for details please refer to "Printer Setting Tool Instructions" )

---

## 4 INTERFACE SIGNAL



Pin number	Signal name
1	VBUS
2	D-
3	D+
4	GND



---

## 5 CLEANING THE PRINTER

Printing quality might be degraded by dust, foreign substance, adhesive substance, or other pollution materials stuck in the printer head or inside the printer. When dirty, clean the print head as follows

### ※ **Caution**

- 1) Make sure to turn the printer power off prior to cleaning.
- 2) Turn the printer off and wait for 2 -3 minutes before cleaning the printhead because it gets very hot during the printing process.
- 3) When cleaning the print head, take care not to touch the heated portion of the print head to avoid any damage caused by static electricity or other factors.
- 4) Take care not to allow the print head to become scratched and/or damaged in any way.

### **5.1 Cleaning the print head**

- 1) Open the top cover of the printer, and then use the cleaning pen or a cotton swab dipped in diluted alcohol (or isopropanol) to clean the print head in the direction from the center of the head to the edges.
- 2) After cleaning the head, do not use the printer until the alcohol used for cleaning evaporates completely (1~2 min) and the printer head has completely dried.

### **5.2 Cleaning the sensor, roller and paper path**

- 1) Open the top cover of the printer and take out the paper roller.
- 2) Remove any dust or foreign materials using a dry cotton cloth or cotton swabs.
- 3) Use an alcohol-soaked cotton cloth or cotton swabs to wipe off any adhesive substance or pollution materials
- 4) After cleaning the parts, do not use the printer until the alcohol used for cleaning evaporates completely (1~2 min) and the printer has completely dried.

※ Please clean the parts in case the print quality deteriorates or paper detection performance decreases

