



## TC-C32WS Spec:I5W/E/Y/S/2.8mm/V5.0

2MP Fixed Color Maker Bullet Camera

Lite Series



### KEY FEATURES

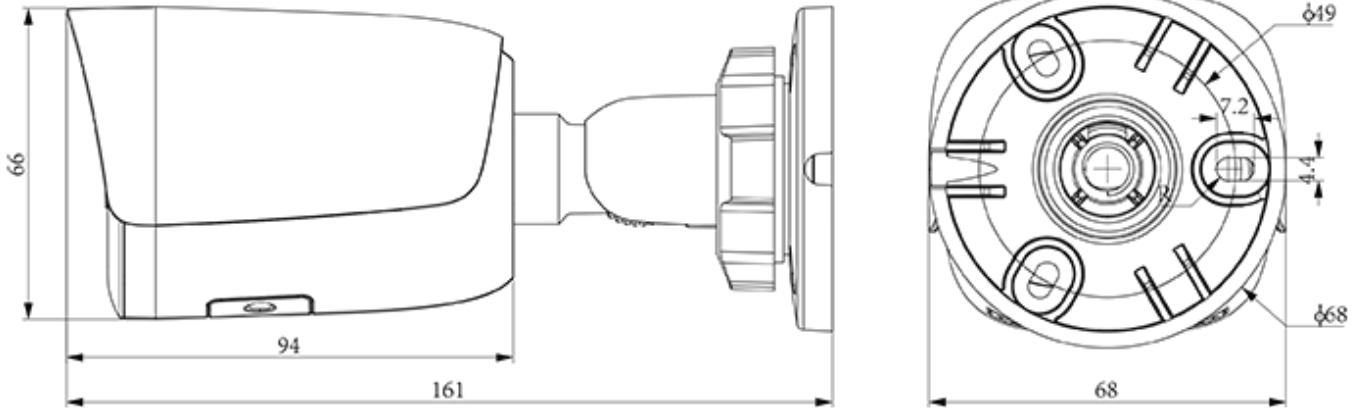
- Metal+plastic housing
- Up to 2MP,1920×1080@30fps
- S+265/H.265/H.264B/H.264M/H.264H
- Color:0.002Lux@(F1.6,AGC ON),B/W:0Lux with IR
- IR range up to 50m
- Built-in Mic
- Support microSD/microSDHC/microSDXC card,up to 512GB
- Support human/vehicle classification
- Operating conditions -40°C~65°C(-40°F~149°F), ≤95%RH
- DC12V±25%,Max. 6.5W, PoE:IEEE 802.3af,Max. 7W
- IP67

## SPECIFICATIONS

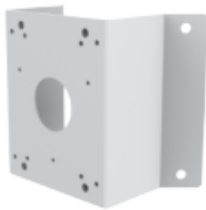
| Camera               |   |
|----------------------|---|
| Image Sensor         | 1/2.8"CMOS  |
| Min. Illumination    | Color:0.002Lux@(F1.6,AGC ON),B/W:0Lux with IR   |
| Shutter Time         | 1s~1/100000s  |
| Day&Night            | IR-cut filter with auto switch (ICR)  |
| Smart IR             | Yes   |
| WDR                  | 120dB   |
| S/N                  | >42dB   |
| Angle Adjustment     | 0~360°(P); 0~90°(T); 0~360°(R)  |
| Lens                 |   |
| Lens Type            | Fixed focal lens  |
| Focal Length         | 2.8mm   |
| Lens Mount           | M12   |
| Aperture Range       | F1.6  |
| Aperture Type        | Fixed   |
| Field of View        | 104.9°(H); 56.5°(V); 119.2°(D)  |
| DORI Distance        | Detect:38.6m<br>Observe:15.3m<br>Recognize:7.7m<br>Identify:3.8m                                      |
| Illuminator          |   |
| IR LEDs              | 2   |
| IR Distance          | Up to 50m   |
| Wavelength           | 850nm   |
| White LEDs           | 2   |
| Whitelight Distance  | 15m   |
| Compression Standard |   |
| Video Compression    | S+265/H.265/H.264B/H.264M/H.264H  |
| Video Bit Rate       | 32k~6Mbps   |
| Audio Compression    | G.711A/G.711U/ADPCM_D   |
| Audio Sampling Rate  | 8kHz/32kHz/48kHz  |
| Image                |   |
| Max. Resolution      | 2MP,1920×1080@30fps   |
| Main Stream          | PAL:25fps(1920×1080, 1280×720, 640×480, 704×576)<br>NTSC:30fps(1920×1080, 1280×720, 640×480, 704×480) |
| Sub Stream           | PAL:25fps(704×576, 704×288, 640×360, 352×288)<br>NTSC:30fps(704×480, 704×240, 640×360, 352×240)       |
| BLC                  | Yes   |
| HLC                  | Yes   |
| AGC                  | Yes   |
| 3D DNR               | Yes   |

|                                      |  |
|--------------------------------------|--|
| White Balance                        | Auto/Semi-Auto/Manual/Sunshine/Nature Light/Warmlight Lamp/Daylight Lamp/Filament Lamp/Lock White Balance  |
| ROI                                  | 8 rectangular static areas   |
| OSD                                  | Overlay of additional characters in 1 regions, 1 line, with a maximum of 48 characters or 16 Chinese characters per region; 16*16/32*32/48*48                              |
| Privacy Mask                         | 4 black static areas   |
| Defog                                | Yes  |
| <b>Feature</b>                       |  |
| General Alarm                        | Motion Detection; Mask Alarm   |
| Exceptions Alarm                     | Disk Full; Disk R/W Error; IP Address Conflict   |
| Linkage Method                       | Trigger Warmlight; Trigger Recording; Trigger Capture; Notify Surveillance Center; Alarm Output  |
| Video Analytics                      | Human/Vehicle Classification; Tripwire; Perimeter  |
| Rules of Behavior Analyse In 1 Scene | 2  |
| <b>Network</b>                       |  |
| ANR                                  | Yes  |
| Protocols                            | HTTP; HTTPS; TCP/IP; UDP; UPnP; ICMP; DHCP; DNS; DDNS; Easy DDNS; NTP; TLS v1.2; SSL; QoS; IPv4; SSH; Unicast; FTP   |
| System Compatibility                 | P2P(Mutually exclusive with Profile G); ONVIF(Profile S/T/G) ; SDK; CGI; Milestone; RTSP   |
| Remote Connection                    | ≤2   |
| Client                               | Easy7 VMS  |
| Moblie Client                        | EasyLive Plus  |
| Web                                  | IE10+; Firefox52+; Edge89+; Safari11+; Chrome57+   |
| <b>Interface</b>                     |  |
| Communication Interface              | 1*RJ-45 (10/100 Base-T)  |
| Built-in Mic                         | Yes  |
| Reset Button                         | Yes  |
| On-board Storage                     | Support microSD/microSDHC/microSDXC card,up to 512GB   |
| RTC                                  | Yes  |
| <b>General</b>                       |  |
| Web Client Language                  | 18 languages<br>Traditional Chinese/English/Spanish/Korean/Italian/Turkish/Russian/Thai/French/Polish/Dutch/ Hebrew/Arabic/Vietnamese/German/Ukrainian/Portuguese/Albanian |
| Operating Temperature                | -40°C~65°C(-40°F~149°F)  |
| Operating Humidity                   | ≤95%RH   |
| Storage Temperature                  | -40°C~65°C(-40°F~149°F)  |
| Storage Humidity                     | 10%~95%RH(non-condensing)  |
| Power Supply                         | DC12V±25%,Max. 6.5W; PoE:IEEE 802.3af,Max. 7W  |
| Protection                           | Surge4000V; ESD6000V; IP67   |
| Boundary Dimensions                  | 160(L)73(W)73(H)mm   |
| Package Dimensions                   | 215(L)95(W)120(H)mm  |
| GrossWeight                          | 0.47kg   |

## DIMENSIONS (Unit: mm)



## Assembly diagram of Junction Box



A35  
CORNER MOUNT



TC-P54BM SPEC: V5  
JUNCTION BOX



A36  
POLE MOUNT