



## TC-C35US Spec:I8/A/E/Y/M/2.8-12mm/V4.0

5MP Motorized IR Bullet Camera

Lite Series



### KEY FEATURES

- Metal housing
- Up to 5MP, 2592 × 1944 @ 20fps
- S+265/H.265/H.264B/H.264M/H.264H
- Color: 0.002Lux @ (F1.6, AGC ON), B/W: 0Lux with IR
- IR range up to 80m
- Built-in Mic
- Support microSD/microSDHC/microSDXC card, up to 512GB
- Operating conditions -35°C ~ 65°C (-31°F ~ 149°F), ≤ 95%RH
- DC12V ± 25%, Max. 8W, PoE: IEEE 802.3af, Max. 9W
- IP67

## SPECIFICATIONS

Camera	
Image Sensor	1/2.8"CMOS
Min. Illumination	Color:0.002Lux@(F1.6,AGC ON),B/W:0Lux with IR
Shutter Time	1s~1/100000s
Day&Night	IR-cut filter with auto switch (ICR)
Smart IR	Yes
WDR	120dB
S/N	>42dB
Angle Adjustment	0~360°(P); 0~90°(T); 0~360°(R)
Lens	
Lens Type	Motorized
Focal Length	2.8~12mm
Lens Mount	Φ14
Aperture Range	F1.6
Aperture Type	Fixed
Field of View	96.8°~32.7°(H); 71.3°~24.5°(V); 120.2°~40.9°(D)
DORI Distance	W: Detect:56.0m Observe:22.2m Recognize:11.2m Identify:5.6m T: Detect:240.0m Observe:95.2m Recognize:48.0m Identify:24.0m
Illuminator	
IR LEDs	4
IR Distance	Up to 80m
Wavelength	850nm
Compression Standard	
Video Compression	S+265/H.265/H.264B/H.264M/H.264H
Video Bit Rate	32k~6Mbps
Audio Compression	G.711A/G.711U/ADPCM_D
Audio Sampling Rate	8kHz/32kHz/48kHz
Image	
Max. Resolution	5MP,2592×1944@20fps
Main Stream	PAL:20fps(2592×1944), 25fps(2592×1520, 2560×1440, 2304×1296, 1920×1080, 1280×720) NTSC:20fps(2592×1944), 24fps(, 2592×1520, 2560×1440), 30fps(2304×1296, 1920×1080, 1280×720)
Sub Stream	PAL:25fps(704×576, 704×288, 640×360, 352×288) NTSC:30fps(704×480, 704×240, 640×360, 352×240)
BLC	Yes

HLC	Yes
AGC	Yes
3D DNR	Yes
White Balance	Auto/Semi-Auto/Manual/Sunshine/Nature Light/Warmlight Lamp/Daylight Lamp/Filament Lamp/Lock White Balance
ROI	8 rectangular static areas
OSD	Overlay of additional characters in 1 regions, 1 line, with a maximum of 48 characters or 16 Chinese characters per region; 16*16/32*32/48*48/64*64
Privacy Mask	4 black static areas
Defog	Yes

## Feature

General Alarm	Motion Detection; Mask Alarm
Exceptions Alarm	Disk Full; Disk R/W Error; IP Address Conflict
Linkage Method	Trigger Recording; Trigger Capture; Notify Surveillance Center; Alarm Output
Video Analytics	Tripwire; Perimeter
Rules of Behavior Analyse In 1 Scene	2

## Network

ANR	Yes
Protocols	HTTP; HTTPS; TCP/IP; UDP; UPnP; ICMP; DHCP; DNS; DDNS; Easy DDNS; NTP; TLS v1.2; QoS; IPv4; SSH; Unicast; ARP; FTP
System Compatibility	P2P(Mutually exclusive with Profile G); ONVIF(Profile S/T/G) ; SDK; CGI; Milestone; RTSP
Remote Connection	≤2
Client	Easy7 VMS
Moblie Client	EasyLive Plus
Web	IE10+; Firefox52+; Edge89+; Safari11+; Chrome57+

## Interface

Communication Interface	1*RJ-45 (10/100 Base-T)
Built-in Mic	Yes
Reset Button	Yes
On-board Storage	Support microSD/microSDHC/microSDXC card,up to 512GB
RTC	Yes

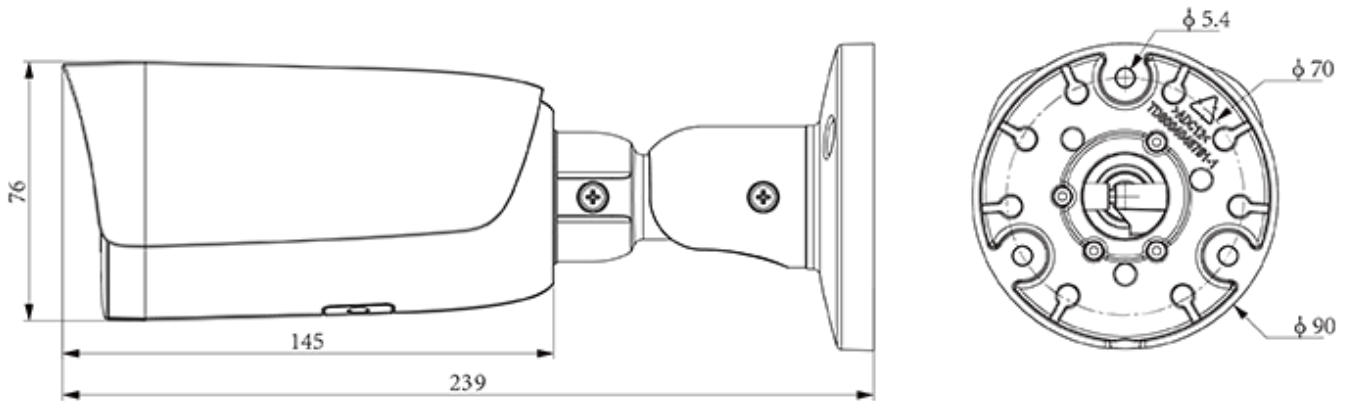
## General

Web Client Language	19 languages Simple Chinese/Traditional Chinese/English/Spanish/Korean/Italian/Turkish/Russian/Thai/French/Polish/Dutch/Hebrew/Arabic/Vietnamese/German/Ukrainian/Portuguese/Albanian
Operating Temperature	-35°C~65°C(-31°F~149°F)
Operating Humidity	≤95%RH
Storage Temperature	-35°C~65°C(-31°F~149°F)
Storage Humidity	10%~95%RH(non-condensing)
Power Supply	DC12V±25%,Max. 8W; PoE:IEEE 802.3af,Max. 9W
Protection	Surge4000V; ESD6000V; IP67
Boundary Dimensions	239(L)90(W)90(H)mm

Package Dimensions 280(L)125(W)140(H)mm

GrossWeight 1.28kg

## DIMENSIONS (Unit: mm)



## Assembly diagram of Junction Box



TC-P54BM Spec:V5



A36