

# Tiandy



## TC-A35555 Spec: 0/A/2.8-12mm/9-54mm 5MP Video Structure AI Dual PTZ Camera

Ultra Series



### KEY FEATURES

- Dual PTZ design
- 5MP varifocal PTZ-bullet for overall scenario and 5MP speed dome for detailed view
- Resolution up to 3072×1728@20fps
- Min. illumination Color: 0.0008Lux@F1.0 (PTZ-bullet)
- Optical zoom of PTZ-bullet: 4×, digital zoom 16×
- Optical zoom of speed dome: 6×, digital zoom 16×
- Smart IR, IR Range: 100m
- Surge Protection 6KV
- Support blue&red flash warning
- Built-in dual Mic& dual Speaker
- Built-in Electronic Compass
- Support video structure analysis
- S+265/H.265/H.264/M-JPEG
- Support Human/Vehicle Classification
- Plugin Free
- IP66
- Support Realtime Brightness Function



**Tiandy Technologies Co.,Ltd.**

Email: [sales@tiandy.com](mailto:sales@tiandy.com)  
Website: [en.tiandy.com](http://en.tiandy.com)

Tel: +86-22-58596178  
Fax: +86-22-58596048



## SPECIFICATIONS

Camera	
Image Sensor	PTZ-bullet: 1/1.8" CMOS Speed dome: 1/1.8" CMOS
Signal System	PAL/NTSC
Min. Illumination	PTZ-bullet: Color: 0.0008Lux@ (F1.36, ACG ON), BW: 0lux with IR Speed Dome: Color: 0.0008Lux@ (F1.35, ACG ON), BW: 0lux with IR
Shutter Time	1s to 1/100,000s
Day & Night	Dual IR Cut Filter with Auto Switch
Wide Dynamic Range	PTZ-bullet: 120dB; Speed Dome: 140dB
Optical Zoom	PTZ-bullet: 4×; Speed Dome: 6×
Digital Zoom	PTZ-bullet: 16×; Speed Dome: 16×
Lens	
Focal Length	PTZ-bullet: 2.8~12mm; Speed Dome: 9~54mm
Zoom Speed	<3s
Angle of View	PTZ-bullet: Horizontal: 84.8° (w)~49° (t), vertical: 49.3° (w)~27.6° (t) Speed Dome: Horizontal: 42.3° (w)~32.1° (t), vertical: 24.3° (w)~18.4° (t)
Aperture Range	PTZ-bullet: F1.36~F2.0; Speed Dome: F1.35~F1.55
Pan&Tilt	
Pan Range	PTZ-bullet: 260°; Speed Dome: 360°
Pan Speed	PTZ-bullet: Pan Manual Speed: 0.1°~100°/s, Pan Preset Speed: 100°/s Speed Dome: Pan Manual Speed: 0.1°~180°/s, Pan Preset Speed: 300°/s
Tilt Range	PTZ-bullet: 0°~30°; Speed Dome: -3°~90° (Auto flip)
Tilt Speed	PTZ-bullet: Tilt Manual Speed: 0.1°~15°/s, Tilt Preset Speed: 15°/s Speed Dome: Tilt Manual Speed: 0.1°~100°/s, Tilt Preset Speed: 150°/s
3D Position	Yes
Presets	PTZ-bullet: 256; Speed Dome: 500
Preset Accuracy	±0.5°
Scan	Speed Dome: 8
Cruise	Speed Dome: 16, up to 32 presets per cruise
Pattern	Speed Dome: 8, each with 600s memory or 1000 orders
Power-off Memory	Yes
RS-485 Protocols	DOME_PELCO_D , DOME_PELCO_P , DOME_PLUS
Illuminator	
IR LEDs	6
IR Range	Up to 100m
IR Irradiation Angle	Adjustable by Zoom
White LEDs	4, up to 30m
Blue&Red Flash LEDs	Yes

Compression Standard	
Video Compression	S+265/H.265/H.264/M-JPEG
Video Bit Rate	32Kbps~8Mbps
Audio Compression	G.711A/G.711U/ADPCM_D/AAC_LC
Audio Bit Rate	8K~48Kbps
Image	
Max. Resolution	5.0MP (3072×1728)
Main Stream	PAL: 20fps (3072×1728), 25fps (2560×1440, 2304×1296, 1920x1080, 1280x720, 640x480, 704x576) NTSC: 20fps (3072×1728), 30fps (2560×1440, 2304×1296, 1920x1080, 1280x720, 640x480, 704x480)
Sub Stream	PAL: 25fps (704×576, 704×288, 640×360, 352×288) NTSC: 30fps (704×576, 704×288, 640×360, 352×288)
Third Stream	PAL: 25fps (704×576, 704×288, 352×288) NTSC: 30fps (704×576, 704×288, 352×288)
Image Setting	Saturation, brightness, contrast, sharpness, adjustable by client software or web browser
Image Enhancement	BLC/3D DNR/HLC
ROI	7 Dynamic Areas for Both Main and Sub Stream
OSD	16×16, 24×24,32×32, 48×48, 64×64, 96×96, 128×128, adaptable size, letters such as Week, Date, Time, Total 5 Regions
Picture Overlay	Yes
Privacy Mask	Yes
Smart Defog	Yes
Feature	
Alarm Trigger	Event Input, Event Output, Motion Detection, Mask Alarm, Disk Full, Disk R/W Error, IP Address Conflict, MAC Address Conflict, FTP Server Exception
Video Analytics	Tripwire, Double Tripwire, Perimeter, Object Abandon, Object Lost, Loitering, Running, Heatmap, Video Abnormal, Crowd, Audio Abnormal, Demographics(People Counting), On Duty Detection, Safety Helmet Detection, Auto tracking, Face Capture
Video Structure Analytics	Face metadata: age, gender, glasses, beards, masks, hat Human body metadata: gender, masks, hair, bag, tops, tops color, bottoms, bottoms color Vehicle metadata: type, color, brand Non-vehicle metadata: type
Early Warning(EW)	Yes
Auto-Tracking	Yes
Face Detection and Analytics	
Face Detection Performance	Detects up to 32 faces at the same scene
Face Exposure Brightness	Default 35, 1~100 brightness optional
Min. Face Pixel	Default 60, 26~2560 optional
Network	
Protocols	IEEE802.1X/TCP/UDP/HTTP/MULTICAST/UPnP/DHCP/PPPoE/DDNS/NFS/FTP/NTP/RTP/RTSP/IPv4/IPv6/SNMP/SMTP/RTMP
System Compatibility	ONVIF (PROFILE S/T/G), SDK, CGI, P2P
ANR	Auto store video in SD card when NVR disconnected, and upload video to NVR when resumed connection (Only Support Tiandy ANR NVR)
Remote Connection	≤7
Client	Easy7, EasyLive
Web Version	web6 (Internet Explorer, Google Chrome, Mozilla Firefox)

# Tiandy

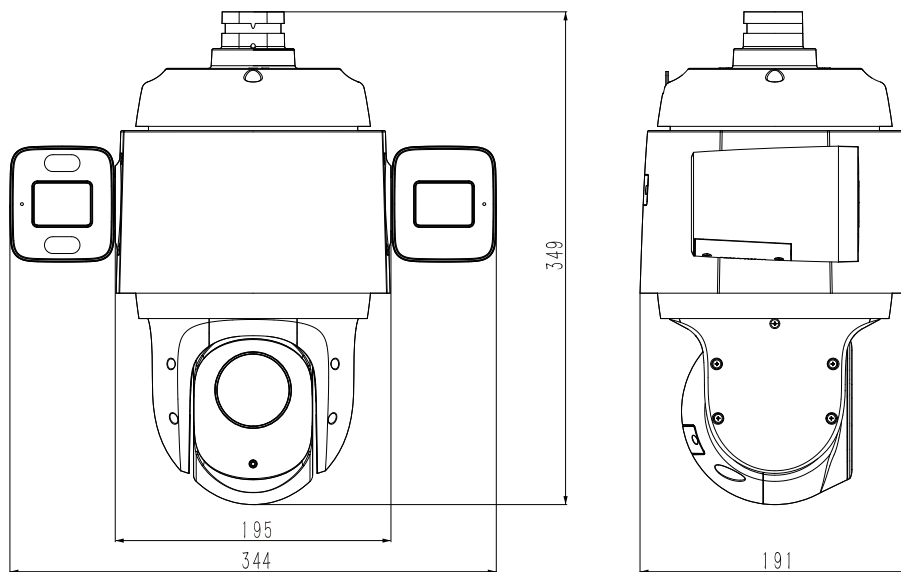
Interface	
Communication Interface	2 RJ45 100M/1000M self adaptive Ethernet ports
Audio	2 Mic, 1/1
Alarm	3/2
Speaker	2
Reset Button	Yes
On-board storage	Built-in Micro SD card slot, up to 512 GB
RS-485	Yes
BNC	N/A
Wiper	N/A
Electronic Compass	Yes
GPS/BDS	Yes
General	
Firmware Version	-
Web Client Language	15 languages Simplified Chinese, Traditional Chinese, English, Spanish, Korean, Italian, Turkish, Russian, Thai, French, Polish, Dutch, Hebraism, Arabic, Vietnamese
Operating Conditions	-40°C~70°C, 0-95%RH
Power Supply	AC24V±15%, DC24V±10%
Power Consumption	Max: 57W
Protection	IP66, Lightning protection, surge protection and voltage transient protection meets EN 55035:2017
Heater	Yes
Dimensions	Φ191×344×350mm (Φ7.52×13.54×13.78inch)
Weight	7.2kg (15.87lb)

\* Listed resolutions are only selectable options. It does not mean that all streams can work at their maximum resolution at the same time.

## AVAILABLE MODEL

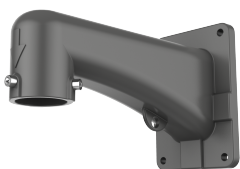
**TC-A35555 SPEC: 0/A/2.8-12MM/9-54MM**

## DIMENSIONS (Unit: mm)



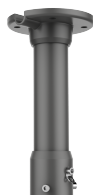
## ACCESSORIES

### INCLUDED



TC-P52BM Spec: 5/G Wall Mount

### OPTIONAL



TC-P52AM Spec: 5/G Pendant Mount

DISTRIBUTED BY



**Tiandy Technologies Co.,Ltd.**

Email: [sales@tiandy.com](mailto:sales@tiandy.com)  
Website: [en.tiandy.com](http://en.tiandy.com)

Tel: +86-22-58596178  
Fax: +86-22-58596048