



TC-A3563 Spec:44X/I/A

5MP 44X Color Maker AEW PTZ Camera

Pro Series



KEY FEATURES

- Up to 5MP,3072×1728@20fps
- Color:0.0008lux@ (F1.6,AGC ON),B/W:0lux with IR
- S+265/H.265/H.264B/H.264M/H.264H/Motion JPEG
- Optical zoom 44X
- IR range up to 180m
- Built-in Micro SD card slot,up to 512 GB
- Support smart surveillance, detect up to 32 faces at the same scene
- Support human/vehicle classification
- Operating conditions -40°C~70°C(-40°F~158°F), ≤95%RH
- AC24V±15%
- IP66

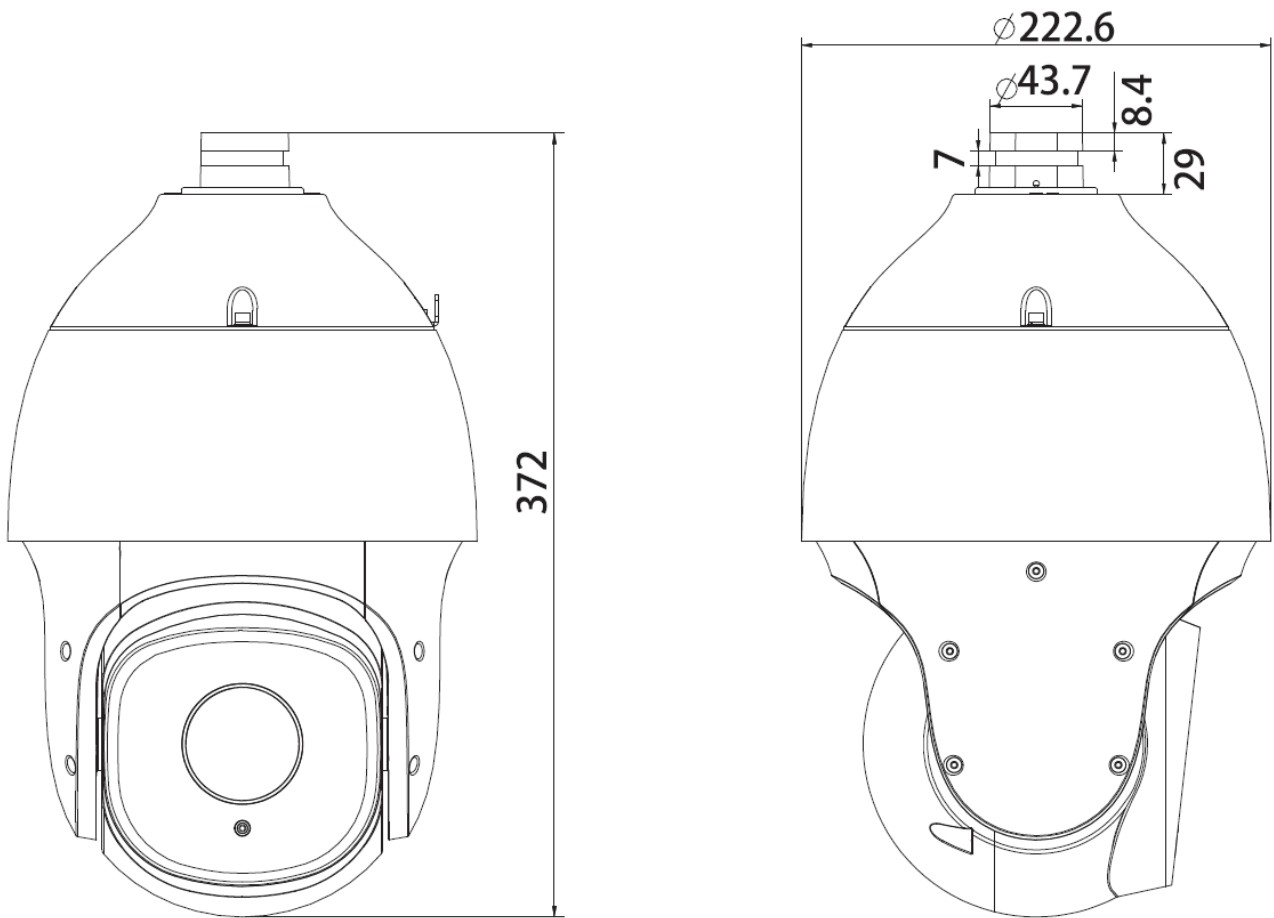
SPECIFICATIONS

Camera	
Image Sensor	1/1.8"CMOS
Min. Illumination	Color:0.0008lux@ (F1.6,AGC ON),B/W:0lux with IR
Shutter Time	1s~1/100000s
Day&Night	IR-cut filter with auto switch (ICR)
Smart IR	Yes
WDR	120dB
S/N	43dB
Lens	
Focal Length	6mm~264mm
Optical Zoom	44X
Digital Zoom	16X
Zoom Speed	<6s
Aperture Range	F1.6~F5.3
Aperture Type	Auto(P-Iris)
Field of View	61.8°~2.3°(H); 36.3°~1.3°(V); 69°~2.6°(D)
Focus Control	Auto/Semi-auto/Manual
Close Focus Distance	100mm~1000mm
DORI Distance	Detect:2533m Observe:1005m Recognize:506m Identify:253m
Pan&Tilt	
Pan Range	360°
Pan Speed	Manual Speed:0.1°~180°/s Preset Speed:240°/s
Tilt Range	-16°~90° (Default -3°~90°)
Tilt Speed	Manual Speed:0.1°~120°/s Preset:180°/s
3D Position	Yes
Preset	500
Cruise	16,up to 32 presets per cruise
Scan	8
Pattern	8,each with 600s memory or 1000 orders
Scheduled Task	Preset,Cruise,Scan,Pattern
North Point	Yes(Manual setting)
Power-off Memory	Yes
Preset Freezing	Yes
Illuminator	
IR LEDs	8
IR Distance	Up to 180m
Wavelength	850nm
IR Irradiation Angle	Yes
White LEDs	2

Whitelight Distance	30m
Compression Standard	
Video Compression	S+265/H.265/H.264B/H.264M/H.264H/Motion JPEG
Video Bit Rate	32Kbps~16Mbps
Audio Compression	G.711A/G.711U/ADPCM_D/AAC_LC
Audio Sampling Rate	8KHz/32KHz/48KHz
Image	
Max. Resolution	5MP,3072×1728@20fps
Main Stream	PAL:20fps(3072×1728), 25fps(2560×1440,2304×1296,1920×1080,1280×960,1280×720,640×480,704×576) NTSC:20fps(3072×1728), 30fps(2560×1440,2304×1296,1920×1080,1280×960,1280×720,640×480,704×480)
Sub Stream	PAL:25fps(704×576,704×288,640×360,352×288) NTSC:30fps(704×480,704×240,640×360,352×240)
Third Stream	PAL:25fps(704×576,704×288,352×288) NTSC:30fps(704×480,704×240,352×240)
BLC	Yes
HLC	Yes
AGC	Yes
3DNR	Yes
White Balance	Auto/Semi-Auto/Manual/Sunshine/Nature Light/Warmlight Lamp/Daylight Lamp/Filament Lamp/Lock White Balance
ROI	7 rectangular 3D fixed focus areas,supporting 1 rectangular dynamic tracking ROI
EIS	Yes
OSD	5 regions(Each region can have a maximum of 127 characters,up to 5 lines); 16*16/24*24/32*32/48*48/64*64/96*96/adaptable size; Vector/Lattice
Defog	Yes
Flip	Normal/Inverted Flip
Regional Exposure	Yes
Regional Focus	Yes
Demist	Yes
Privacy Mask	24 regions
Feature	
General Alarm	Motion Detection; Mask Alarm; Alarm Input
Exceptions Alarm	Disk Full; Disk R/W Error; IP Address Conflict; MAC Address Conflict; FTP Server Exception ; Network cable disconnected
Linkage Method	Send Email; Trigger Sound; trigger warmlight; Trigger Recording; Trigger Capture; Notify Surveillance Center; Alarm Output
Video Analytics	Human/Vehicle Classification; Tripwire; Double Tripwire; Perimeter; Object Abandon; Object Missing; Heatmap; Loitering; Running; People Counting; Crowed Detection; Safety Helmet Detection; On Duty Detection; Video Abnormal; Audio Abnormal
Auto Early Warning(AEW)	Yes
Auto-Tracking	Yes

Face Mode	Face Capture
Face Capture Performance	Detect up to 32 faces at the same scene; Capture up to 16 faces at the same scene;
Network	
ANR	Yes
Protocols	HTTP; HTTPS; TCP/IP; UDP; UPnP; ICMP; IGMP; SNMP v1; DHCP; DNS; DDNS; NTP; SMTP; TLS v1.2; SSL; QoS; IPv4; IPv6; PPPoE; Unicast; Multicast; ARP; RTP; FTP
System Compatibility	P2P; ONVIF(Profile S/T/G); SDK; CGI; RTSP
Remote Connection	≤7
User/Host	Up to 8 users. 4 user levels
Client	Easy7 VMS
Mobile Client	EasyLive Plus
Web	IE10+; Firefox52+; Edge89+; Safari11+; Chrome57+
Interface	
Communication Interface	1*RJ45 (10/100Base-T)
Audio I/O	1*Input Impedance 1kΩ,2.0~2.4Vp-p; 1*Output Impedance 600Ω
Alarm I/O	8*Switching; 2*Switching,Voltage≤DC24V,Current≤1A
Built-in Speaker	1,4Ω4W
Reset Button	Yes
On-board Storage	Built-in Micro SD card slot,up to 512 GB
Additional Interfaces	RS485; BNC
Wiper	Yes
General	
Web Client Language	16 languages Simple Chinese/English/Traditional Chinese/Spanish/Italian/ Korean/Turkish/Russian/Thai/ Polish/ French/Dutch/ Hebraism/Vietnamese/Arabic/Farsi
Operating Temperature	-40°C~70°C(-40°F~158°F)
Operating Humidity	≤95%RH
Storage Temperature	-40°C~70°C(-40°F~158°F)
Storage Humidity	10%~95%RH(non-condensing)
Power Supply	AC24V±15%
Power Consumption	22W(IR OFF) ; 43W(IR ON)
Protection	Surge4000V; ESD6000V; IP66
Material	Metal
Boundary Dimensions	222mm(D)x372mm(H)
Package Dimensions	320(L)320(W)520(H)mm
GrossWeight	8.9Kg
NetWeight	5.45Kg

DIMENSIONS (Unit: mm)



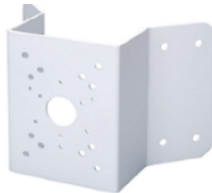
Assembly diagram of Junction Box



DF20Y



TC-P32EM



A35



DF21Y



A36