



## TC-C35LQ Spec:I5W/E/Y/T/4mm/V4.2

### Bullet Camera

Pro Series



### KEY FEATURES

- Metal housing
- Up to Max. Resolution
- S+265/H.265/H.264B/H.264M/H.264H/Motion JPEG
- Color:0.002Lux@(F1.6,AGC ON),B/W:0Lux with IR
- IR Range 50m
- Built-in Mic, Built-in Speaker
- Support microSD/microSDHC/microSDXC card, up to 512 GB
- Support Smart surveillance
- Support Human/Vehicle Classification
- Operating Conditions -40°C~65°C(No turning on the light), Humidity 95% or less (no condensation)
- DC12V±25%,MAX 7W, POE 802.3af,MAX 8W
- IP67

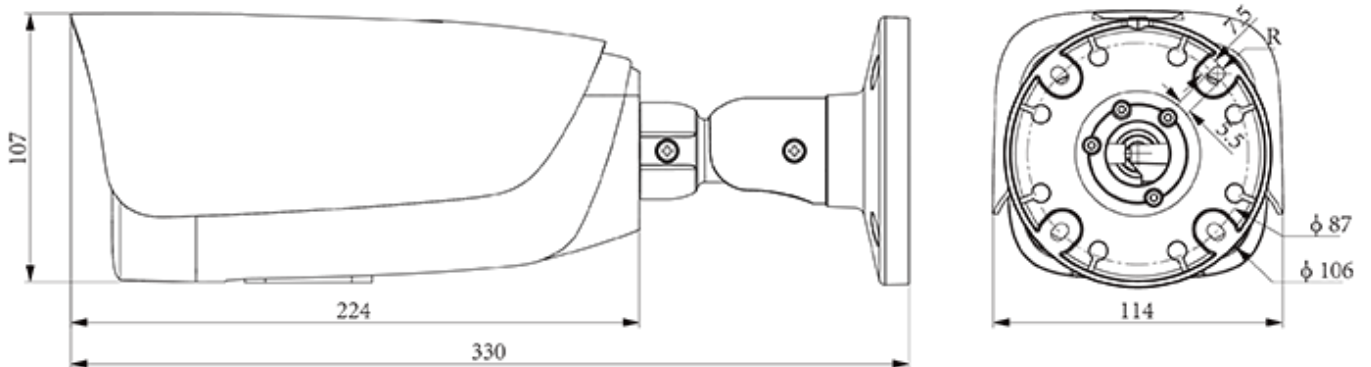
## SPECIFICATIONS

Camera	
Image Sensor	1/2.7"CMOS
Min. Illumination	Color:0.002Lux@(F1.6,AGC ON),B/W:0Lux with IR
Shutter Time	1s~1/100000s
Day&Night	IR-cut filter with auto switch (ICR)
WDR	120dB
S/N	>39dB
Angle Adjustment	0~360°(P); 0~90°(T); 0~360°(R)
Lens	
Lens Type	Fixed focal lens
Focal Length	Thermal imaging:3mm;Visible light:4mm
Lens Mount	M12
Aperture Range	Thermal:F1.1;Optical:F1.6;fixed focal lens
Field of View	Thermal:56°; Optical:88.7°(H); Thermal:42°; Optical:46.8°(V); Thermal :70°; Visible light: 100.3°(D)
DORI Distance	Detect:80m Observe:31.5m Recognize:16m Identify:8m
Illuminator	
IR LEDs	2
IR Distance	50m
Wavelength	850nm
White LEDs	2
Whitelight Distance	15m
Compression Standard	
Video Compression	S+265/H.265/H.264B/H.264M/H.264H/Motion JPEG
Video Bit Rate	32k~16Mbps
Audio Compression	G.711A/G.711U/ADPCM_D/AAC_LC
Audio Sampling Rate	8kHz/32kHz/48kHz
Image	
Main Stream	Optical: PAL:25fps(2880×1620, 2688×1520, 2560×1440, 2304×1296) NTSC:30fps(2880×1620, 2688×1520, 2560×1440, 2304×1296) Thermal: PAL:25fps(1280×720, 704×576, 640×480, 352×288) NTSC:25fps(1280×720, 704×480, 640×480, 352×240)

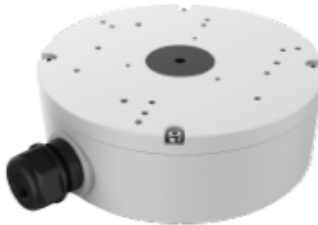
Sub Stream	Optical: PAL:25fps(704×576, 704×288, 640×360, 352×288) NTSC:30fps(704×480, 704×240, 640×360, 352×240) Thermal: PAL:25fps(704×576, 640×480, 352×288) PAL:25fps(704×480, 640×480, 352×240)
BLC	Yes
HLC	Yes
AGC	Yes
3D DNR	Yes
White Balance	Auto/Semi-Auto/Manual/Sunshine/Nature Light/Warmlight Lamp/Daylight Lamp/Filament Lamp/Lock White Balance
ROI	8 rectangular static areas
OSD	Optical: Overlay of additional characters in 5 regions, 2 lines, with a maximum of 127 characters or 42 Chinese characters per region Thermal: Overlay of additional characters in 1 area, 2 lines, with a maximum of 127 characters or 42 Chinese characters per area; 16*16/32*32/48*48/64*64/96*96
Picture Overlay	1*200x200 size BMP 24 color bit image overlay
Privacy Mask	4 black static areas
Defog	Yes
<b>Feature</b>	
Alarm Trigger	Motion Detection; Mask Alarm; Voltage Alarm; Disk Full; Disk R/W Error; IP Address Conflict; MAC Address Conflict; FTP Server Exception ; Event Input, Event Output
Linkage Method	send email; trigger sound; trigger warmlight; trigger recording; trigger capture; notify surveillance center
Video Analytics	Human/Vehicle Classification; Tripwire; Double Tripwire; Perimeter; Video Abnormal; Audio Abnormal
Rules of behavior analyse in 1 scene	8
<b>Network</b>	
ANR	Yes
Protocols	HTTP; HTTPS; TCP/IP; UDP; UPnP; ICMP; IGMP; SNMP; DHCP; DNS; DDNS; Easy DDNS; NTP; SMTP; SSL; 802.1X; QoS; IPv4; IPv6; PPPOE; SSH; Unicast; Multicast; RTCP; ARP; SRTP; RTSP; FTP; SFTP; NAS
System Compatibility	ONVIF Profile S/T/G/M; CGI; Milestone; RTMP
Remote Connection	≤7
Client	Easy7 Smart Client
Moblle Client	EasyLive Plus
<b>Interface</b>	
Communication Interface	1*RJ-45,10/100 Mbps self-adaptive Ethernet port
Audio I/O	1; 1
Alarm I/O	2-ch,TTL inputs,3mA,3.3VDC; 1-ch,relay output,1A,24VDC

Reset Button	Yes
On-board storage	Support microSD/microSDHC/microSDXC card, up to 512 GB
RTC	Yes
Additional interfaces	RS-485
<b>General</b>	
Web Client Language	19 languages Simple Chinese/Traditional Chinese/English/Spanish/Korean/Italian/Turkish/Russian/Thai/ French/Polish/Dutch/Hebrew/Arabic/Vietnamese/German/Ukrainian/Portuguese/Albanian
Operating Temperature	-40°C~65°C(No turning on the light)
Operating Humidity	Humidity 95% or less (no condensation)
Storage Temperature	-40°C~65°C
Storage Humidity	Humidity 95% or less (no condensation)
Power Supply	DC12V±25%,MAX 7W; POE 802.3af,MAX 8W
Protection	Surge4000V; ESD6000V; IP67
Boundary Dimensions	327(L)114(W)105(H)mm
Package Dimensions	360(L)150(W)170(H)mm
GrossWeight	1.85kg

## DIMENSIONS (Unit: mm)



## Assembly diagram of Junction Box



A22



A35\_V5.0



A36\_V5.0