



TC-H3169M Spec:63X/LW/P/A/AR

16MP 63X Polar Day Panoramic AEW PTZ Camera

Pro Series



KEY FEATURES

Panoramic Camera

- Four 1/1.8" CMOS
- Up to 5520x2400@30fps
- Horizontal: 180°, Vertical: 85°
- Min. illumination Color: 0.0004Lux@F1.0
- Support region clipping
- Support distortion correction

PTZ Camera

- Up to 2560*1440@30fps
- Optical zoom: 63×, digital zoom 16×
- Support 3d position
- Laser Distance: 500m
- Auto-Tracking Early Warning (AEW)
- Auto Wiper
- IP66

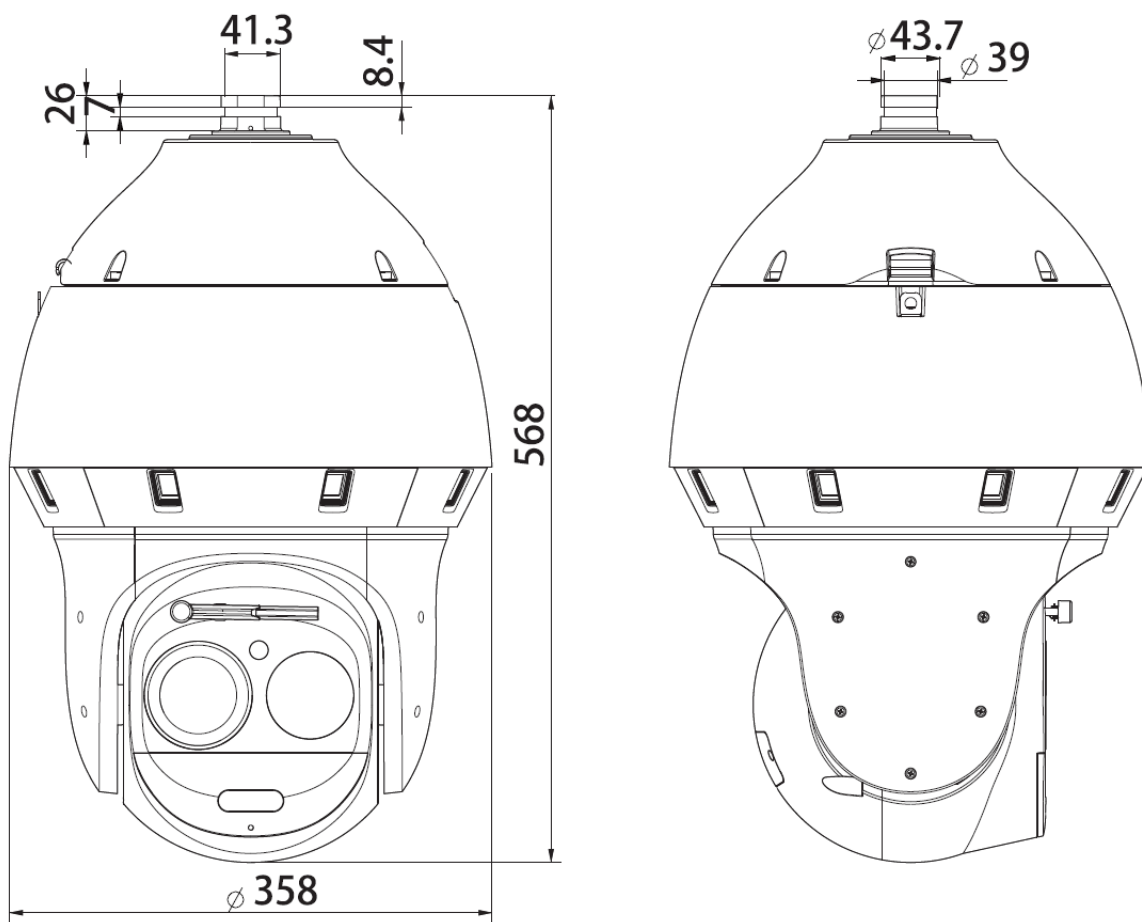
SPECIFICATIONS

Camera	
Image Sensor	Panorama:1/1.8"CMOS Detail:1/1.8"CMOS
Min. Illumination	Panorama:0.0004lux Detail:0.001lux
Shutter Time	1s~1/100000s
Day&Night	IR-cut filter with auto switch (ICR)
Smart IR	Yes
WDR	Panorama:DWDR Detail:120dB
Lens	
Focal Length	Panorama:2.8mm Detail:5.7mm~359mm
Optical Zoom	Detail:63X
Digital Zoom	Detail:16X
Zoom Speed	Detail:<8s
Aperture Range	Panorama:F1.0 Detail:F1.63~F4.94
Aperture Type	Panorama:Fixed Detail:Auto(P-Iris)
Field of View	Panorama:180°±10°(H);90°±10°(V) Detail:60°~1.5°(H); 35.5°~0.87°(V); 67.5°~1.77°(D)
Focus Control	Detail:Auto/Semi-auto/Manual
Close Focus Distance	Panorama:200mm Detail:1000mm~3000mm
DORI Distance	Panorama: Detect:63m; Observe:25m; Recognize:12m; Identify:6m Detail: Detect:3800m; Observe:1508m; Recognize:760m; Identify:380m
Pan&Tilt	
Pan Range	Detail: 0°~360°
Pan Speed	Detail: Manual Speed:0.1°~200°/s; Preset Speed:240°/s
Tilt Range	Detail:-21°~90° (Default -13°~90°)
Tilt Speed	Detail: Manual Speed:0.1°~120°/s; Preset:180°/s
3D Position	Yes
Preset	500
Cruise	16,up to 32 presets per cruise
Scan	8
Pattern	8,each with 600s memory or 1000 orders
Scheduled Task	Preset,Cruise,Scan,Pattern
North Point	Yes
Power-off Memory	Yes
Preset Freezing	Yes
Illuminator	
IR LEDs	Detail:11
IR Distance	Detail:300m
Wavelength	Detail:850nm
IR Irradiation Angle	Detail:Yes
White LEDs	Detail:2
Whitelight Distance	Detail:30m
Red and Blue Alarm Flash	Yes
Laser Distance	Detail:500m

Compression Standard	
Video Compression	Panorama:S+265/H.265/H.264B/H.264M/H.264H/Motion JPEG Detail:S+265/H.265/H.264B/H.264M/H.264H/Motion JPEG
Video Bit Rate	Panorama:32Kbps~16Mbps Detail:32Kbps~16Mbps
Audio Compression	G.711A/G.711U/ADPCM_D/AAC_LC
Audio Sampling Rate	8KHz/32KHz/48KHz
Image	
Max. Resolution	Panorama:5520×2400@30fps Detail:2560×1440@30fps
Main Stream	Panorama: PAL:25fps(5520×2400,4096×1800,3840×1680,2784×1200) NTSC:30fps(5520×2400,4096×1800,3840×1680,2784×1200) Detail: PAL:25fps(2560×1440,2304×1296,1920×1080,1280×720) NTSC:30fps(2560×1440,2304×1296,1920×1080,1280×720)
Sub Stream	Panorama: PAL:25fps(2048×896,1280×560,704×320) NTSC:30fps(2048×896,1280×560,704×320) Detail: PAL:25fps(704×576,704×288,352×288,640×360) NTSC:30fps(704×480,704×240,352×240,640×360)
Third Stream	Panorama: PAL:25fps(1280×560) NTSC:30fps(1280×560) Detail: PAL:25fps(704×576,704×288,352×288,640×480) NTSC:30fps(704×480,704×240,352×240,640×480)
BLC	Yes
HLC	Yes
AGC	Yes
3DNR	Yes
White Balance	Auto/Semi-Auto/Manual/Sunshine/Nature Light/Warmlight Lamp/Daylight Lamp/Filament Lamp/Lock White Balance
ROI	Panorama: 7 Fixed Areas for Both Main and Sub Stream Detail 7 rectangular 3D fixed focus areas,supporting 1 rectangular dynamic tracking ROI
EIS	Panorama:N/A Detail:Yes
OSD	5 regions(Each region can have a maximum of 127 characters,up to 5 lines); Panorama: 16*16/24*24/32*32/48*48/64*64/72*72/96*96/128*128/adaptable size Detail: 16*16/24*24/32*32/48*48/64*64/96*96/adaptable size
Defog	Yes
Flip	Panorama:Normal Detail:Normal/Inverted Flip
Regional Exposure	Detail:Yes
Regional Focus	Detail:Yes
Demist	Yes
Privacy Mask	Panorama:8 regions Detail:24 regions
Feature	
General Alarm	Panorama:Motion Detection Detail:Motion Detection;Mask Alarm; Alarm Input
Exceptions Alarm	Disk Full; Disk R/W Error; Recording Exception; IP Address Conflict; MAC Address Conflict; FTP Server Exception ; Network cable disconnected
Linkage Method	Send Email; Trigger Sound; trigger warmlight; Trigger Recording; Trigger Capture; Notify Surveillance Center; Alarm Output
Video Analytics	Panorama:Tripwire, Double Tripwire,Heatmap, Human/Vehicle Classification Detail: Tripwire, Double Tripwire, Perimeter, Object Abandon, Object Missing, Loitering, Running, Parking, Crowded Detection, People Counting, Safety Helmet Detection, On Duty Detection, Video Abnormal, Audio Abnormal, Human/Vehicle Classification
Auto Early Warning(AEW)	Yes
Auto-Tracking	Yes
Face Mode	Face Capture
Face Capture Performance	Detect up to 32 faces at the same scene; Capture up to 16 faces at the same scene
Network	
ANR	Yes
Protocols	HTTP; HTTPS; TCP/IP; UDP; UPnP; ICMP; IGMP; SNMP v1; DHCP; DNS; DDNS; Easy DDNS; NTP; SMTP; TLS v1.2; SSL; 802.1x; QoS; IPv4; IPv6; PPPoE; Unicast; Multicast; ARP; RTP; SRTP; FTP; SFTP
System Compatibility	ONVIF(Profile S/T/G/M); SDK; CGI; RTSP; RTMP
Remote Connection	≤7
User/Host	Up to 32 users. 4 user levels
Client	Easy7 VMS
Web	IE10+; Firefox52+; Edge89+; Safari11+; Chrome57+

Interface	
Communication Interface	1*RJ45 (10/100Base-T)
Audio I/O	1*Input Impedance 1kΩ,2.0~2.4Vp-p; 1*Output Impedance 600Ω
Alarm I/O	8*Switching; 2*Switching,Voltage≤DC24V,Current≤1A
Built-in Speaker	1,4Ω4W
Reset Button	Yes
On-board Storage	Built-in Micro SD card slot,up to 512 GB
Additional Interfaces	RS485; BNC
Wiper	Yes
Electronic Compass	Yes
General	
Web Client Language	17 languages Simple Chinese/English/Traditional Chinese/Spanish/Italian/ Korean/Turkish/Russian/Thai/ Polish/French/Dutch/ Hebraism/Vietnamese/Arabic/German/Ukrainian
Operating Temperature	-40°C~70°C(-40°F~158°F)
Operating Humidity	≤95%RH
Storage Temperature	-40°C~70°C(-40°F~158°F)
Storage Humidity	10%~95%RH(non-condensing)
Power Supply	DC36V±25%
Power Consumption	50W(IR OFF) ; 76W(IR ON)
Protection	Surge4000V; ESD6000V; IP66
Material	Metal
Boundary Dimensions	358mm(D)x568mm(H)
Package Dimensions	565(L)485(W)750(H)mm
GrossWeight	21.7kg
NetWeight	14.8kg

DIMENSIONS (Unit: mm)



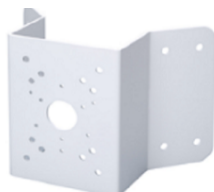
Assembly diagram of Junction Box



DF20Y



TC-P32EM



A35



DF21Y



A36